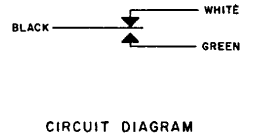


MICRO SWITCH

SWITCH-ENCLOSED

CATALOG LISTING
21 CH 28

FED. MFR CODE 91929

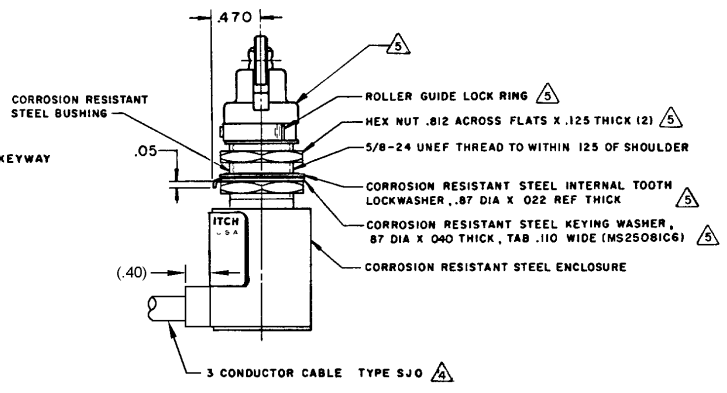
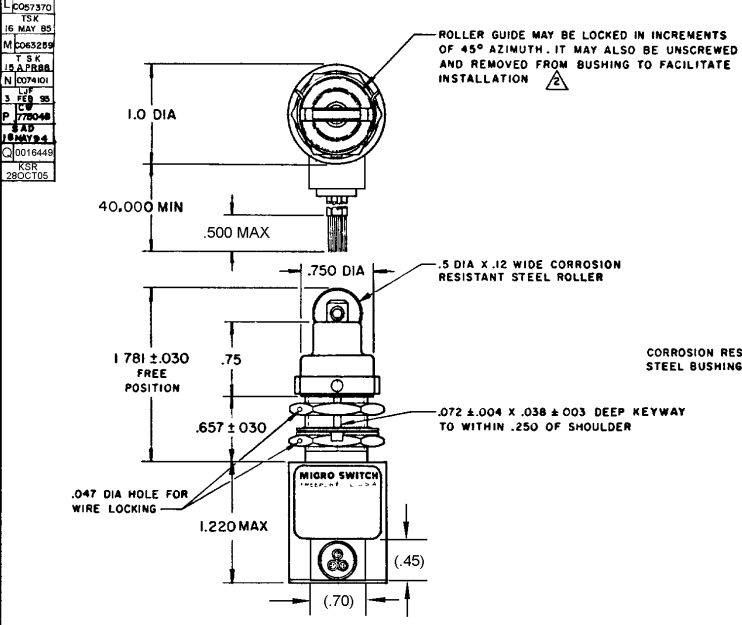


M 21 CH 28

ISSUE 16

REVISIONS

A	17 DEC 64	17 DEC 64
B	20 MAY 65	20 MAY 65
C	17 NOV 64	17 NOV 64
D	17 NOV 64	17 NOV 64
E	22 SEP 65	22 SEP 65
F	17 NOV 64	17 NOV 64
G	17 NOV 64	17 NOV 64
H	17 NOV 64	17 NOV 64
I	17 NOV 64	17 NOV 64
J	17 NOV 64	17 NOV 64
K	17 NOV 64	17 NOV 64
L	17 NOV 64	17 NOV 64
M	17 NOV 64	17 NOV 64
N	17 NOV 64	17 NOV 64
O	17 NOV 64	17 NOV 64
P	17 NOV 64	17 NOV 64
Q	17 NOV 64	17 NOV 64
R	17 NOV 64	17 NOV 64
S	17 NOV 64	17 NOV 64
T	17 NOV 64	17 NOV 64
U	17 NOV 64	17 NOV 64
V	17 NOV 64	17 NOV 64
W	17 NOV 64	17 NOV 64
X	17 NOV 64	17 NOV 64
Y	17 NOV 64	17 NOV 64
Z	17 NOV 64	17 NOV 64



- NOTES
- 1 - SWITCH SEALED PER MIL-PRF-8805 SYMBOL 3 TO ADJUST ROLLER DIRECTION, REMOVE ROLLER GUIDE LOCK RING, SCREW ROLLER GUIDE DOWN AS FAR AS POSSIBLE, THEN UNSCREW TO DESIRED DIRECTION. SECURE BY REPLACING ROLLER GUIDE LOCK RING
 - 3 - CIRCUIT DIAGRAM, CATALOG LISTING AND DATE CODE ARE SHOWN ON NAMEPLATE
 - 4 - LEAD WIRES COLOR CODED TO SHOW LEAD IDENTIFICATION
 - 5 - HARDWARE MAY BE PACKAGED UNASSEMBLED PER MIL-PRF-8805

THIS DRAWING COVERS A PROPRIETARY ITEM AND IS THE PROPERTY OF MICRO SWITCH, A DIVISION OF MINNEAPOLIS-HONEYWELL REGULATOR CO. THIS DRAWING IS NOT TO BE COPIED OR USED WITHOUT THE APPROVAL OF MICRO SWITCH

CHARACTERISTICS	ELECTRICAL DATA	SCALE FULL
OPERATING FORCE ----- 6-12 LB	CONTACT ARRANGEMENT S P D T	DO NOT SCALE PRINT
FULL OVERTRAVEL FORCE --- 30 LB MAX		UNLESS OTHERWISE SPECIFIED
RELEASE FORCE ----- 4 LB MIN		DIMENSIONS ARE IN INCHES
PRETRAVEL ----- .040 MAX		TOLERANCES ARE:
DIFFERENTIAL TRAVEL --- .020 MAX		ONE PLACE (.01) ±.000
OVERTRAVEL ----- .250 MIN		TWO PLACE (.00) ±.008
		THREE PLACE (.000) ±.008
		ANGLES ±
		WEIGHT 9.0 OZ MAX

DRAWN RASTER