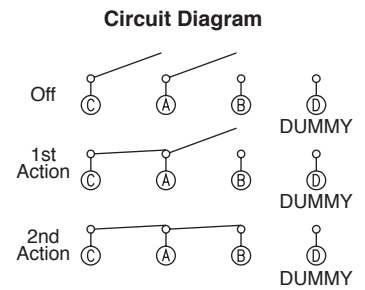
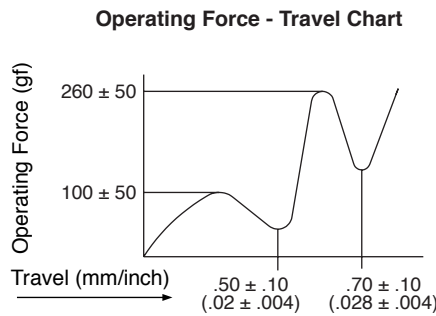
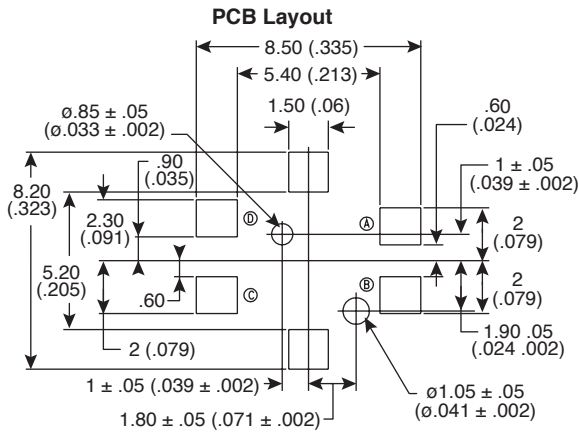
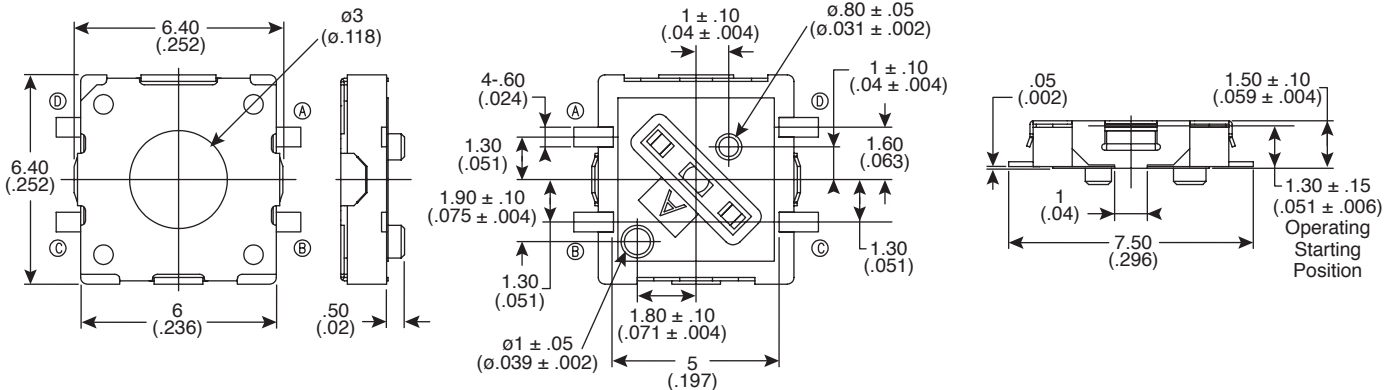


Dimensions: mm (In.)



**Mechanical Specifications:**

- Operation Force:
  - 1st 100 ± 50gf
  - 2nd 260 +70gf / -50gf
- Stroke:
  - 1st 0.50 +0.10 / -0.20 mm
  - 2nd 0.70 +0.10 / -0.20 mm
- Operation Temperature: -25°C to +70°C
- Storage Temperature: -30°C to +80°C

**Electrical Specifications:**

- Electrical Life: 30,000 cycles
- Rating: 50mA / 12VDC
- Contact Resistance: 100mΩ max.
- Insulation Resistance: 100MΩ min. @100VDC
- Dielectric Strength: 25VAC/1 min.
- Contact Arrangement: 1 pole 2 throw

**Materials:**

- Cover: Nickel silver
- Base: UL 94V-0 Nylon high-temp Thermoplastic
- Color: Black
- Dust cover: PTFE
- Color: White
- Contact disc: Stainless with silver cladding
- Terminal: Copper alloy with silver plating

**Note:**

- RoHS compliant and process compatible with 260° solder

**Tactile Switch**  
101-TS5322T100-26-EV

