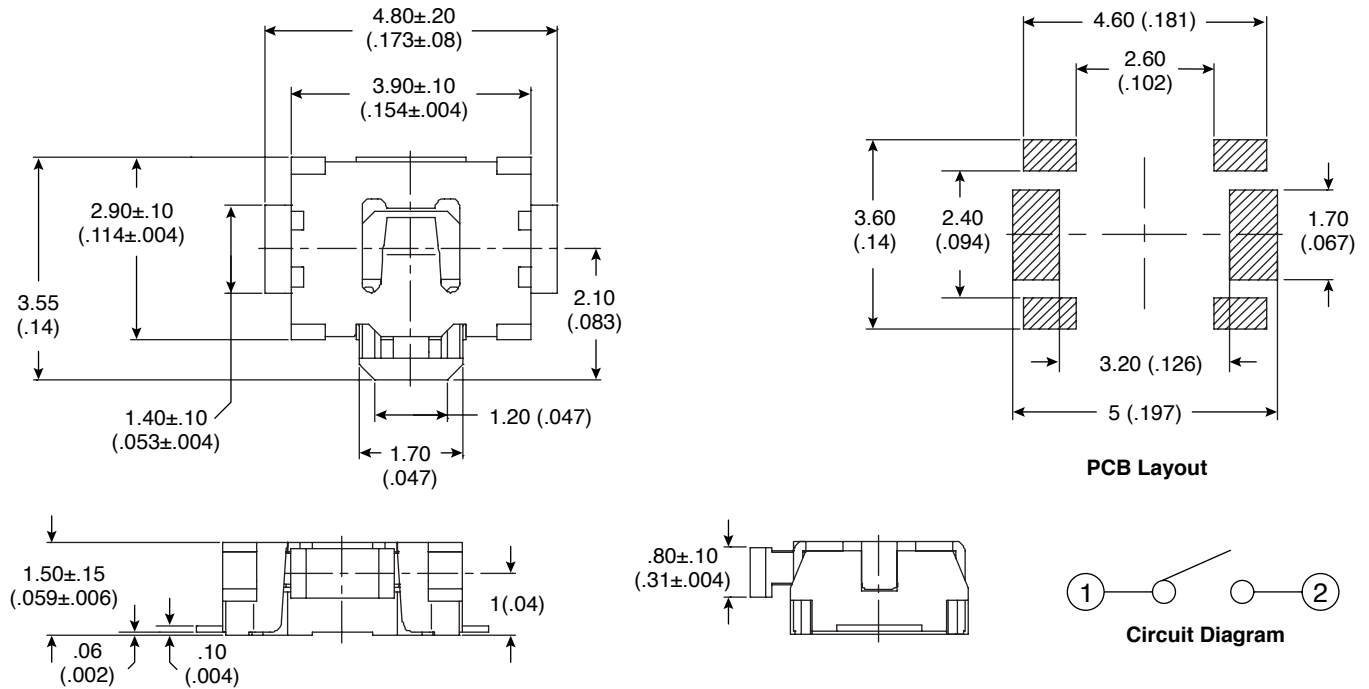


Dimensions: mm (In)

**Mechanical Specifications:**

- Operation Force: 220 ± 65gf
- Stroke: 1st 0.50 +0.10 / - 0.05 mm
- Operation Temperature: -25°C to + 70°C
- Storage Temperature: -30°C to +80°C

Electrical Specifications:

- Electrical Life: 100,000 cycles
- Rating: 50mA , 12VDC
- Contact Resistance: 100mΩ max.
- Insulation Resistance: 100MΩ min. @ 100VDC
- Dielectric Strength: 100VAC/1 minute
- Contact Arrangement: 1 pole 1 throw

Materials:

- Cover: Stainless steel
- Base: LCP High-temp thermoplastic; Color: White
- Stem: LCP High-temp thermoplastic; Color: Black
- Contact disc: Stainless with silver cladding
- Terminal: Brass with silver plating

Note:

- RoHS compliant and process compatible with 260° solder.

Tactile Switch
101-TS4722R2200-EV

**Mountain
Switch**

Available from Mouser Electronics

www.mouser.com

1-800-346-6873