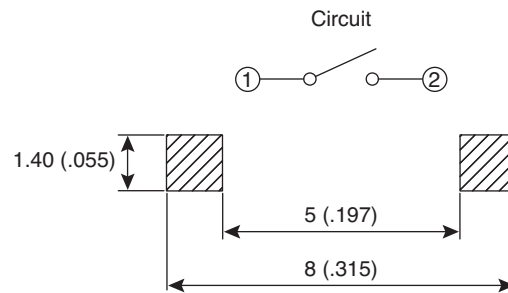
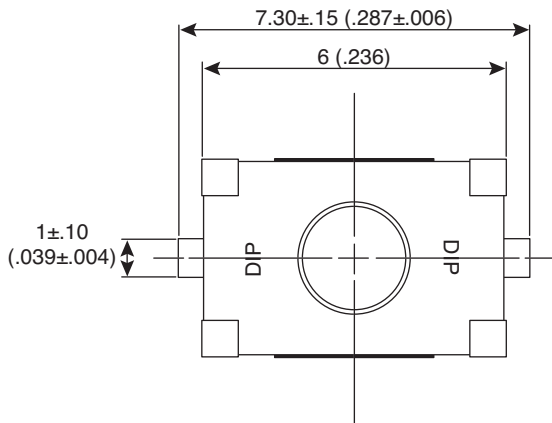
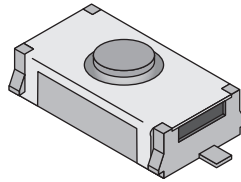
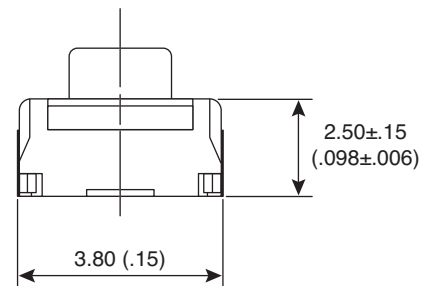
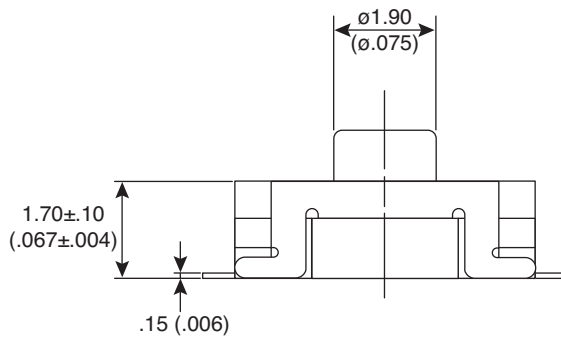


Dimensions: mm (in.)



P.C.B. Layout
(View from the Direction A)



Electrical Specifications:

- Rating: 50mA/12VDC
- Dielectric Strength: 300 V AC(50Hz or 60Hz) for 1 minute
- Contact Resistance: 100mΩ Max.
- Insulation Resistance: 100VDC 100MΩ Min.

Note:

- RoHS Compliant

Mechanical Specifications:

- Operating Temperature: -40° C to +85° C
- Storage Temperature: -55° C to +85° C

Mouser Stock No.	Operating Force	Operating Life	Stroke
101-TF25N-EV	200 ± 50gf	200,000	.30 ± .15mm
101-TF25R-EV	300 ± 75gf	200,000	.35 ± .15mm
101-TF25S-EV	400 ± 100gf	100,000	.45 ± .15mm

Tactile Switches

101-TF25N-EV, 101-TF25R-EV, 101-TF25S-EV



Available from Mouser Electronics

www.mouser.com

1-800-346-6873

Specifications are subject to change without notice. No liability or warranty implied by this information. Environmental compliance based on producer documentation.