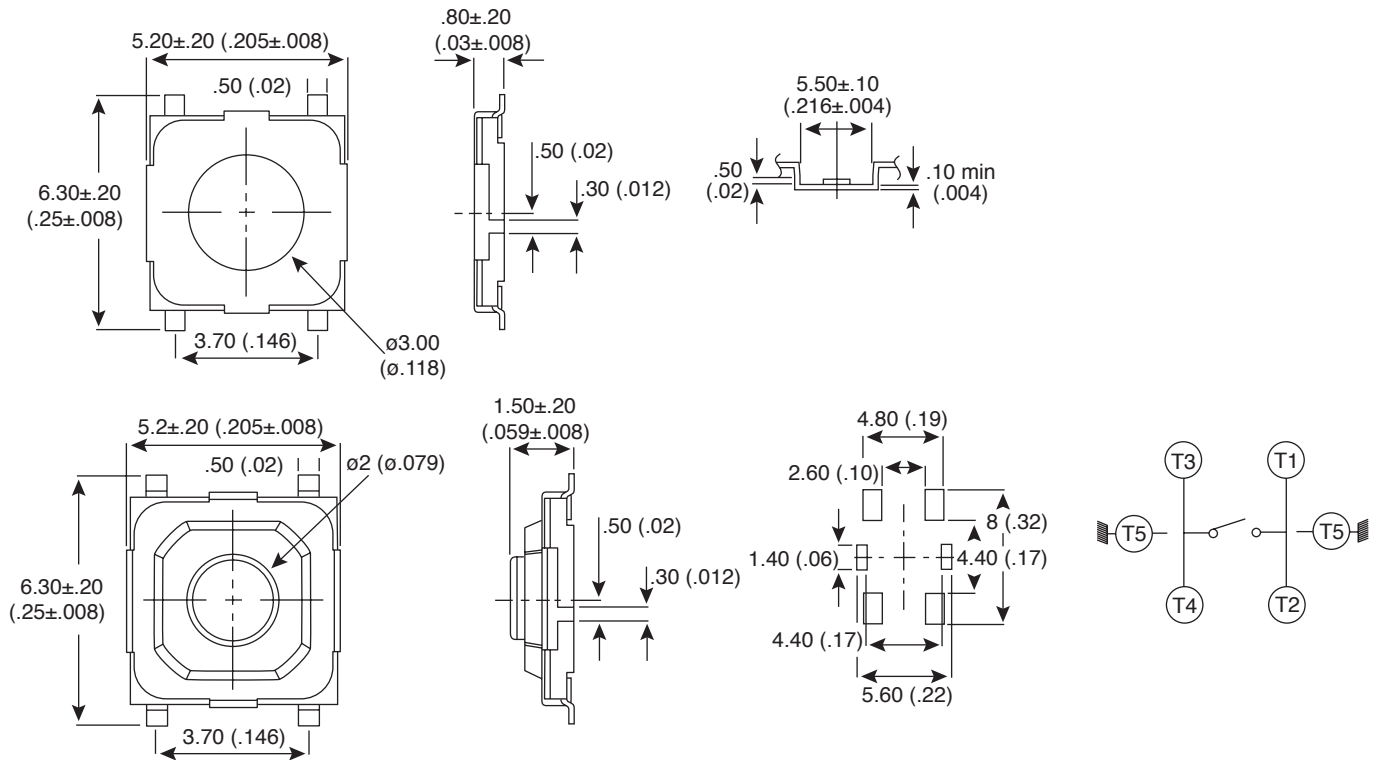


Dimensions: mm (In)



Electrical Specifications:

- Electrical Life: 1,000,000 cycles min. for 160gf
200,000 cycles min. for 260gf
- Rating: 50mA/12VDC
- Contact Resistance: 100mΩ max.
- Insulation Resistance: 100mΩ min. at 500VDC
- Dielectric Strength: 25VAC/minute

Mechanical Specifications:

- Operation Force: 160 ±50gf TS4522T1601, TS4522T1602
260 ±50gf TS4522T2601, TS4522T2602
- Stop Strength: Max. 3kgf vertical static load continuously for 15 seconds
- Stroke: 0.25 +0.2mm
0.25 -0.1mm
- Operating Temp: -25°C to +70°C
- Storage Temp: -30°C to +80°C
- Type: SPST

Materials:

- Cover: Nickel Silver
- Contact Disc: Phosphor Bronze w/ Silver Cladding
- Terminal: Brass w/ Silver Cladding
- Base: LCP High-Temp Thermoplastic; Black
- Stem: Brass TS4522T1602, TS4522T2602
None TS4522T1601, TS4522T2601
- Tape: Teflon

Note:

- RoHS compliant and process compatible with 260° solder.

Tactile Switches (SMT)

101-TS4522T1601-EV, 101-TS4522T1602-EV
101-TS4522T2601-EV, 101-TS4522T2602-EV

