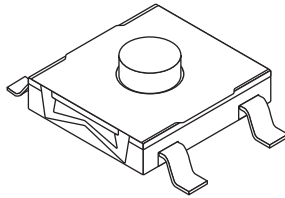
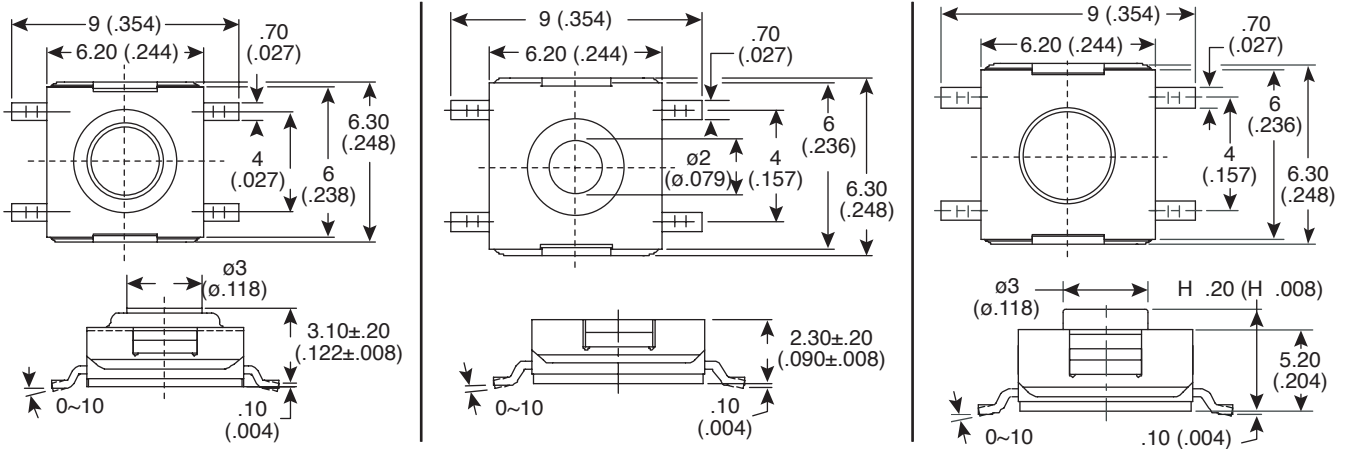
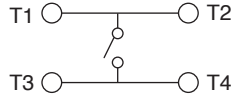


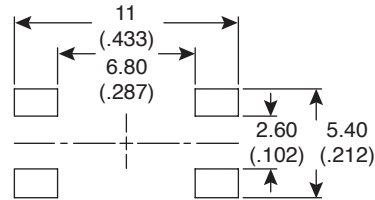
Dimensions: mm (In)



Circuit Diagram



P.C.B. Layout



Electrical Specifications:

- Rating: 50mA/12VDC
- Contact resistance: 100mΩ max.
- Insulation resistance: 100MΩ min. at 500VDC
- Dielectric strength: 250VAC/ minute

Mechanical Specifications:

- Stop strength: max 3kgf vertical static load continuously for 15 seconds
- Tol. Stroke: 0.25 + 0.20 / -0.1 mm; 0.6 ± 0.2mm, 0.45 ± 0.2mm
- Operation temperature: -25°C to +70°C
- Storage temperature: -30°C to +80°C
- Type: SPST

Materials:

- Cover: stainless steel
- Contact disc: phosphor bronze with silver cladding
- Terminal: brass with silver cladding
- Base: UL94V-0 nylon high-temp. thermoplastic; Color: black
- Stem: high-temp. thermoplastic nylon UL94V-0 (66N)
- Adhesive tape: resin-based

Note:

- RoHS Compliant and process compatible with 260° solder

Mouser Stock No.	Height (H)	Stroke Length (mm)	Color of Stem for Operating Force	Electrical Life Cycles
101-TS6824T1601-EV	-	0.25	160g, Silver	100K min.
101-TS6824T1803-EV	3.5 mm	0.45	180g Brown	500K min.
101-TS6824T2603-EV	3.5 mm	0.45	260g, Red	500K min.
101-TS6824T2604-EV	3.8 mm	0.45	260g, Red	500K min.
101-TS6824T3604-EV	3.8 mm	0.60	360g, Transparent	500K min.
101-TS6824T1805-EV	5.2 mm	0.45	180g Brown	500K min.
101-TS6824T2605-EV	5.2 mm	0.45	260g, Red	500K min.
101-TS6824T3605-EV	5.2 mm	0.60	360g, Transparent	500K min.

Tactile Switches (SMT)

101-TS6824T1601-EV, 101-TS6824T1803-EV, 101-TS6824T2603-EV,  
 101-TS6824T2604-EV, 101-TS6824T3604-EV, 101-TS6824T1805-EV,  
 101-TS6824T2605-EV, 101-TS6824T3605-EV

