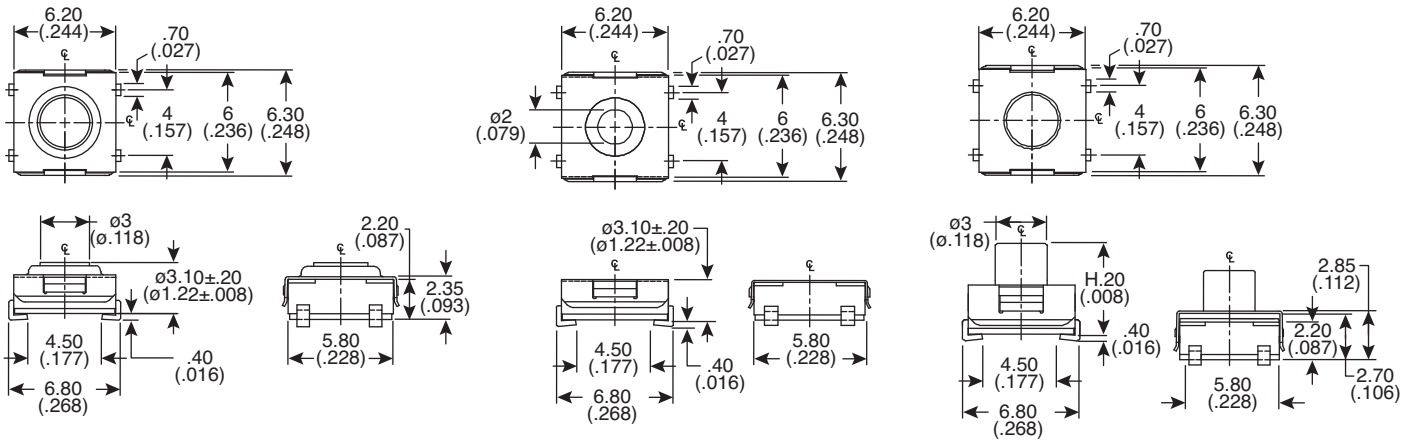
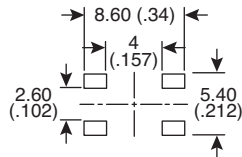


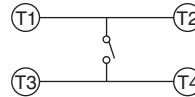
Dimensions: mm (In)



PCB Layout



Circuit Diagram



Electrical Specifications:

- Electrical Life:
  - 100K cycles (min.): 101-TS6923T1601-EV
  - 500K cycles (min.): 101-TS6923T1803-EV, 101-TS6923T1805-EV, 101-TS6923T2603-EV, 101-TS6923T2604-EV, 101-TS6923T2605-EV, 101-TS6923T3604-EV, 101-TS6923T3605-EV
- Rating: 50mA/12VDC
- Contact Resistance: 100mΩ max.
- Insulation Resistance: 100MΩ min. @ 500VDC
- Dielectric Strength: 250VAC/minute

Mechanical Specifications:

- Operating Force:
  - 160gf (silver): 101-TS6923T1601-EV
  - 180gf (brown): 101-TS6923T1803-EV, 101-TS6923T1805-EV
  - 260gf (red): 101-TS6923T2603-EV, 101-TS6923T2604-EV, 101-TS6923T2605-EV
  - 360gf (clear): 101-TS6923T3604-EV, 101-TS6923T3605-EV
- Stop Strength: Max 3kgf vertical static load cont. for 15 sec.
- Stroke: 0.25 +0.20/-0.1mm: 101-TS6923T1601-EV
- 0.45 ±0.2mm: 101-TS6923T1803-EV, 101-TS6923T2603-EV, 101-TS6923T1805-EV, 101-TS6923T2605-EV, 101-TS6923T2604-EV
- 0.6 ±0.2mm: 101-TS6923T3604-EV, 101-TS6923T3605-EV
- Operating Temperature: -25°C to +70°C
- Storage Temperature: -30°C to +80°C
- Type: SPST

Note:

- RoHS Compliant and process compatible with 260° solder

Materials:

- Cover: Stainless steel
- Contact Disc: Phosphor bronze with silver cladding
- Terminal: Brass with silver cladding
- Base: UL94V-0 Nylon high-temp. thermoplastic, black
- Stem: High-temp thermoplastic nylon UL 94V-0
- Metal Stem: Brass w/ nickel plated
- Sealed Rubber: Silicone rubber

Mouser Stock No.	H
101-TS6923T1601-EV	2.3mm
101-TS6923T1803-EV	3.5mm
101-TS6923T2603-EV	3.5mm
101-TS6923T2604-EV	3.8mm
101-TS6923T3604-EV	3.8mm
101-TS6923T1805-EV	5.2mm
101-TS6923T2605-EV	5.2mm
101-TS6923T3605-EV	5.2mm

Tactile Switches (SMT)

101-TS6923T1601-EV	101-TS6923T2604-EV	101-TS6923T2605-EV
101-TS6923T1803-EV	101-TS6923T3604-EV	101-TS6923T3605-EV
101-TS6923T2603-EV	101-TS6923T1805-EV	

