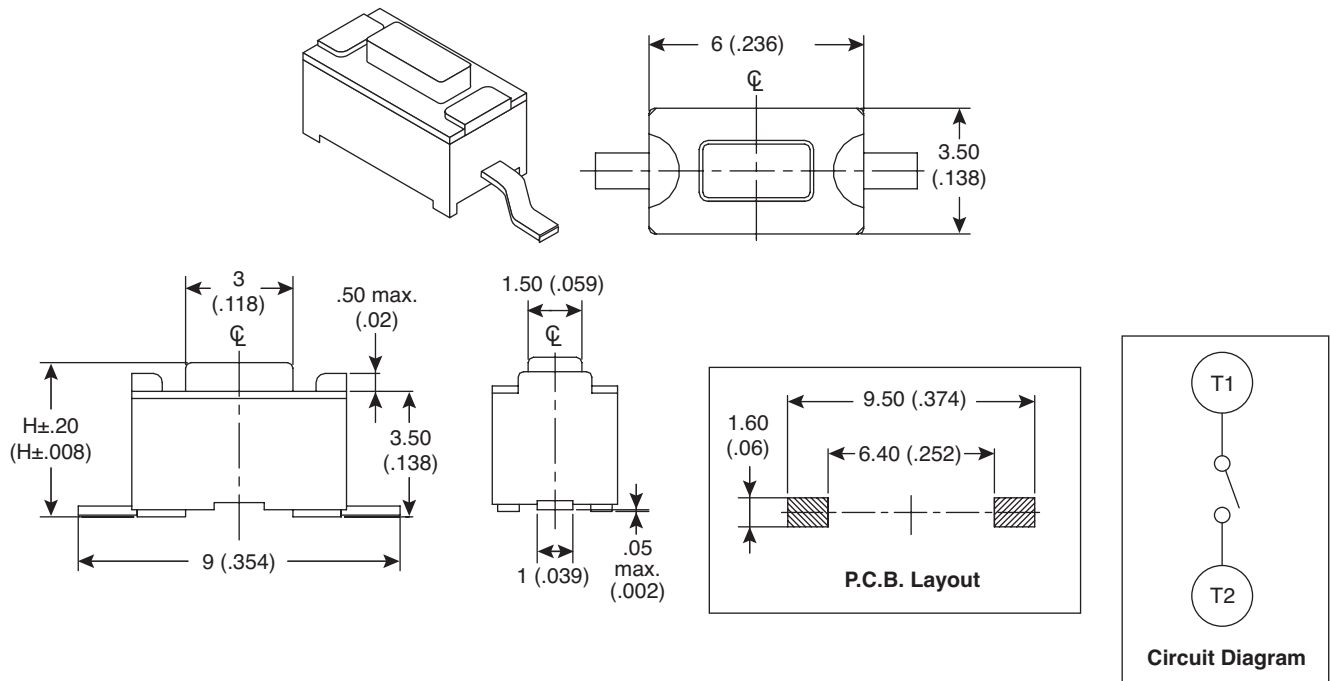


Dimensions: mm (In.)



Mechanical Specifications:

- Stroke: 0.25 +0.20 / -0.1 mm
- Operating Temperature: -25°C to +70°C
- Storage Temperature: -30°C to +80°C
- Type: SPST

Note:

- RoHS Compliant and Process Compatible with 260° solder

Electrical Specifications:

- Electrical Life: 50,000 cycles for 160gf, 320gf
30,000 cycles for 260gf, 520gf
- Rating: 50mA/12VDC
- Contact Resistance: 100mΩ max.
- Insulation Resistance: 100MΩ min. at 500VDC
- Dielectric Strength: 250VAC/ minute

Materials:

- Cover: Stainless steel
- Base: UL94V-0 Nylon or PPA high-temp. thermoplastic, brown
- Stem: UL94V-0 Nylon high-temp. thermoplastic
Color: brown (160gf), red (260gf), salmon (320gf), yellow (520gf)
- Contact Disc: Stainless with silver cladding
- Terminal: Brass with silver cladding

Mouser Stock No.	Height	Color for Operating Force	
101-TS4322T5202-EV	5.0 (.197)	Y	Yellow 520g
101-TS4322T3202-EV	5.0 (.197)	S	Salmon 320g
101-TS4322T2602-EV	5.0 (.197)	R	Red 260g
101-TS4322T1602-EV	5.0 (.197)	N	Brown 160g
101-TS4322T5201-EV	4.3 (.169)	Y	Yellow 520g
101-TS4322T3201-EV	4.3 (.169)	S	Salmon 320g
101-TS4322T2601-EV	4.3 (.169)	R	Red 260g
101-TS4322T1601-EV	4.3 (.169)	N	Brown 160g

Tactile Switches (SMT)

101-TS4322T5202-EV, 101-TS4322T3202-EV, 101-TS4322T2602-EV
 101-TS4322T1602-EV, 101-TS4322T5201-EV, 101-TS4322T3201-EV
 101-TS4322T2601-EV, 101-TS4322T1601-EV

