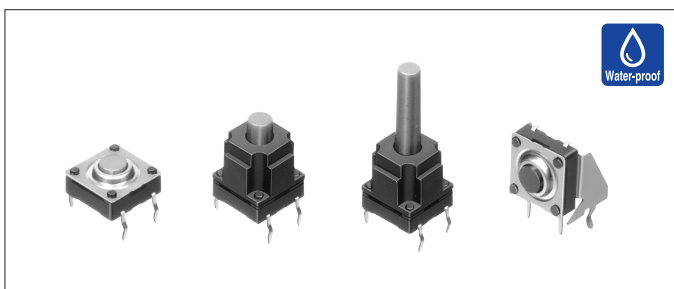


TACT Switch™ 10mm Square Water-proof (Snap-in Type)

SKQB Series



Excellent water-proof and dust-proof structure suitable for home appliances used around water.



Product Line

Vertical Type

Product No.	Operating force	Operating direction	Travel (mm)	Rating (max.)	Rating (min.)	Operating life (5mA 5V DC)	Initial contact resistance	Stem color	Stem height	Minimum order unit (pcs.)	Drawing No.
SKQBARA010	1.57N	Vertical	0.3	50mA 12V DC	10μA 1V DC	100,000cycles	500mΩ max.	Dark gray	5mm	1,000	1
SKQBASA010	2.55N							Red			
SKQBAPA010	1.57N							Dark gray	13mm		2
SKQBAJA010	2.55N							Red			
SKQBAQA010	1.57N							Dark gray	23.2mm		
SKQBAMA010	2.55N							Red			

Horizontal Type

Product No.	Operating force	Operating direction	Travel (mm)	Rating (max.)	Rating (min.)	Operating life (5mA 5V DC)	Initial contact resistance	Stem color	Minimum order unit (pcs.)	Drawing No.
SKQBLBA010	1.57N	Horizontal	0.3	50mA 12V DC	10μA 1V DC	100,000cycles	500mΩ max.	Dark gray	1,000	3

Packing Specifications

Bulk

Series	Number of packages (pcs.)		Export package measurements (mm)
	1 case /Japan	1 case /export packing	
Other	4,000	12,000	309 × 476 × 347
SKQBAQ,SKQBAM	2,000	6,000	

Notes

- When the switch is used in an environment subject to high humidity or condensation, make sure the terminals are coated thoroughly to prevent current leakage between terminals.
- Avoid using coating material containing toluene or xylene. For more information on coating material, please contact us.
- Please place purchase orders per minimum order unit N (integer).

Detector

Push

Slide

Rotary

Encoders

Power

Dual-in-line
Package Type

TACT Switch™

Custom-
Products

Sharp
Feeling

Soft
Feeling

Snap-in
Type

Surface
Mount Type

Radial
Type


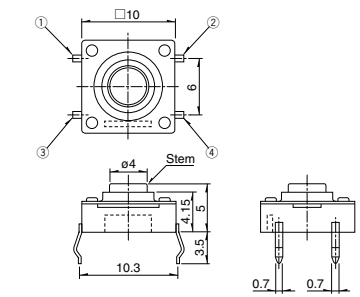
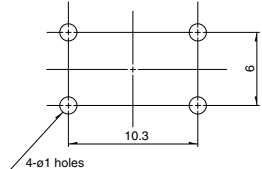

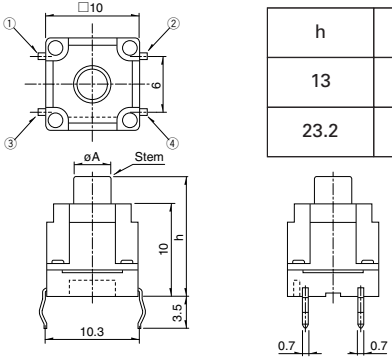
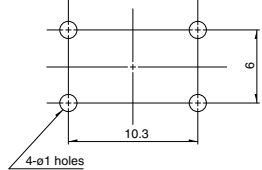
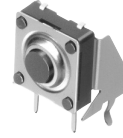
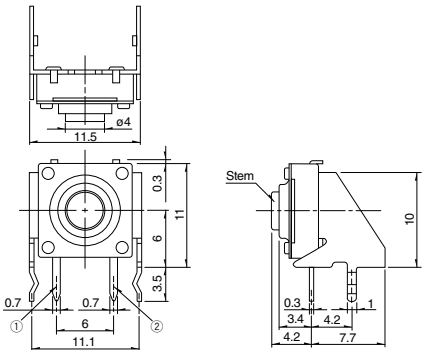
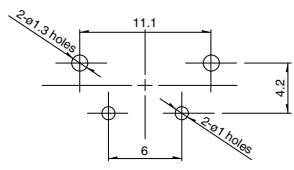


Automotive
Use

Refer to P.334 for soldering conditions.

Dimensions

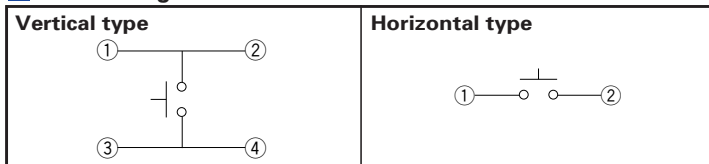
Unit:mm

No.	Photo	Style	PC board mounting hole dimensions (Viewed from switch mounting face)						
1	 <p>Vertical type Stem height : 5mm</p>								
2	 <p>Vertical type</p>	 <table border="1" data-bbox="876 672 1096 829"> <tr> <td>h</td> <td>A</td> </tr> <tr> <td>13</td> <td>3.8</td> </tr> <tr> <td>23.2</td> <td>3.5</td> </tr> </table>	h	A	13	3.8	23.2	3.5	
h	A								
13	3.8								
23.2	3.5								
3	 <p>Horizontal type</p>								

Note

Please use 1.6mm thick PC boards.

Circuit Diagram



Water Resisting Performance

Items	Model	SKQBAP/SKQBAJ/SKQBAQ/ SKQBAM/SKQBAR/SKQBAS	SKQBLB
Temperature of water		60°C	60°C
Depth of water		10cm	10cm
Immersion duration		240h	1h

Note

Switch terminals must be coated thoroughly until the terminals are all hidden.

Refer to P.334 for soldering conditions.

- Detector
- Push
- Slide
- Rotary
- Encoders
- Power

Dual-in-line
Package Type

TACT Switch™

Custom-
Products

Sharp
Feeling

Soft
Feeling

Snap-in
Type

Surface
Mount Type








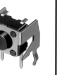
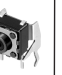


Radial
Type



Automotive
Use

List of Varieties

Sharp Feeling Type

Series		SKHR	SKHL	SKHH	SKHW	SKRD	SKQJ	SKHL	SKHH	SKQJ	SKQB	SKQU
Photo												
Type		Snap-in										
Features		_____			Dust-proof type	Horizontal type	—	Horizontal type			Water-proof	4-direction switch+push switch
Operating direction	Vertical	●	●	●	●	—	●	_____			●	●
	Horizontal	_____				●	—	●	●	●	_____	
Dimensions (mm)	W	□4.5	6	□6		6.2	□6.6	7.3	7.5		□10	
	D		3.5			7.15		7.22	7.85			
	H	3.8	4.3			7.4	5	4.3	7.4	7.3	5	7.1
Operation force coverage		1N	↕	↕	↕	↕	↕	↕	↕	↕	↕	See the relevant pages for respective product descriptions
		5N										
Travel (mm)		0.25			0.3	0.25					0.3	
Ground terminal		—	●	_____			●	_____				
Operating temperature range		-20°C to +70°C SKHL(Vertical Type)/QJ										
		-30°C to +85°C										
Automotive use		—	●	_____						●	—	
Electrical performance	Insulation resistance	100MΩ min. 100V DC										
	Voltage proof	250V AC for 1min.										
Durability	Vibration	10 to 55 to 10Hz/min., the amplitude is 1.5mm for all the frequencies, in the 3 direction of X, Y and Z for 2hours respectively										
	Lifetime	Shall be in accordance with individual specifications.										
Environmental performance	Cold	-30±2°C for 96h										
	Dry heat	80±2°C for 96h										
	Damp heat	60±2°C, 90 to 95%RH for 96h										
Page		281	282	284	288	289	290	282	284	290	292	485

- Detector
- Push
- Slide
- Rotary
- Encoders
- Power
- Dual-in-line Package Type
- TACT Switch™
- Custom-Products

- Sharp Feeling
- Soft Feeling
- Snap-in Type
- Surface Mount Type
- Radial Type

W : Width. The most outer dimension excluding terminal portion.
 D : Depth. The most outer dimension excluding terminal portion.
 H : Height. The minimum dimension if there are variances.

- TACT Switch™ Soldering Conditions334
- TACT Switch™ Cautions335
- Product Line of Knobs for TACT Switch™336

Notes

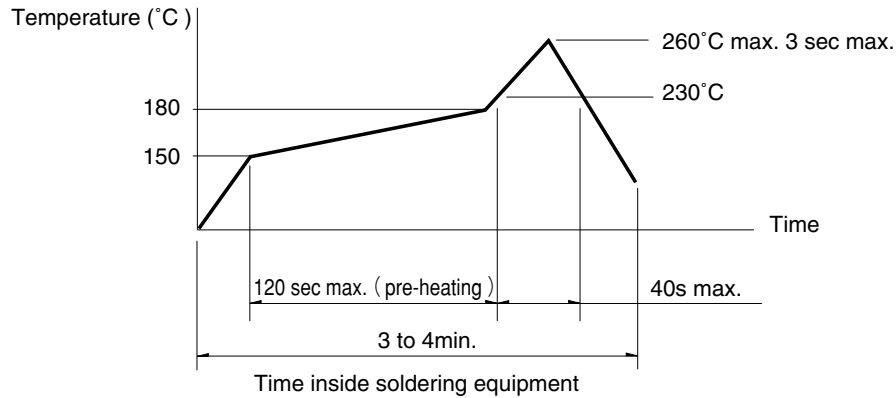
1. The automotive operating temperature range to be individually discussed upon request.
2. ●marks in "Available for automotive use" indicate that all of the series products can work at the operating temperature range from -40°C to +85°C.

Soldering Conditions

Condition for Reflow

Available for Surface Mount Type.

1. Heating method: Double heating method with infrared heater.
2. Temperature measurement: Thermocouple 0.1 to 0.2φ CA (K) or CC (T) at solder joints (copper foil surface). A heat resistive tape should be used to fix thermocouple.
3. Temperature profile



Notes

1. The above temperature shall be measured of the top of switch. There are cases where the PC board's temperature greatly differs from that of the switch, depending on the material, size, thickness of PC boards and others. The above-stated conditions shall also apply to switch surface temperatures.
2. Soldering conditions differ depending on reflow soldering machines. Prior verification of soldering condition is highly recommended.

Conditions for Auto-dip

Available for Snap-in Type and Radial Type
(Except, SKHL, SKQJ, SKQK, SKEG series)

Items	Condition
Flux built-up	Mounting surface should not be exposed to fluk
Preheating temperature	Ambient temperature of the soldered surface of PC board. 100°C max.
Preheating time	60s max.
Soldering temperature	260°C max.
Duration of immersion	5s max.
Number of soldering	2times max.

Notes

1. Consult with us for availability of TACT Switch™ washing.
2. Prevent flux penetration from the top side of the TACT Switch™.
3. Switch terminals and a PC board should not be coated with flux prior to soldering.
4. The second soldering should be done after the switch is stable with normal temperature.
5. Use the flux with a specific gravity of min 0.81.
(EC-19S-8 by TAMURA Corporation, or equivalents.)

Manual Soldering (Except SKRT Series)

Items	Condition
Soldering temperature	350°Cmax.
Duration of soldering	3s max.
Capacity of soldering iron	60W max.

Detector

Push

Slide

Rotary

Encoders

Power

Dual-in-line
Package Type

TACT Switch™

Custom-
Products

Sharp
Feeling

Soft
Feeling

Snap-in
Type

Surface
Mount Type

Radial
Type