

TACT Switch™ 6mm Square (Snap-in Type)

SKEG Series



Soft feeling available with joint-stem & horizontal push.

- Detector
- Push
- Slide
- Rotary
- Encoders
- Power
- Dual-in-line Package Type
- TACT Switch™**
- Custom-Products



Product Line Vertical Type

Product No.	Operating force	Operating direction	Travel (mm)	Rating (max.)	Rating (min.)	Operating life (1mA 5V DC)	Initial contact resistance	Stem color	Variety	Minimum order unit (pcs.)	Drawing No.
SKEGACA010	0.78N	Vertical	1	5mA 12V DC	10μA 1V DC	100,000 cycles	1kΩ max.	Ivory	Joint stem	1,000	1
SKEGAEA010	1.96N							Dark gray			
SKEGADA010	0.78N							Ivory	Flat stem		2
SKEGAFA010	1.96N							Dark gray			

Horizontal Type

Product No.	Operating force	Operating direction	Travel (mm)	Rating (max.)	Rating (min.)	Operating life (1mA 5V DC)	Initial contact resistance	Stem color	Minimum order unit (pcs.)	Drawing No.
SKEGLAA010	0.78N	Horizontal	1	5mA 12V DC	10μA 1V DC	50,000 cycles	1kΩ max.	Black	1,000	3
SKEGLBA010	1.96N							Dark gray		

- Sharp Feeling
- Soft Feeling**
- Snap-in Type
- Surface Mount Type
- Radial Type

Packing Specifications Bulk

Number of packages (pcs.)		Export package measurements (mm)
1 case /Japan	1 case /export packing	
10,000	30,000	309 × 476 × 347

Dimensions

Unit:mm

No.	Photo	Style	PC board mounting hole dimensions (Viewed from switch mounting face)
1			


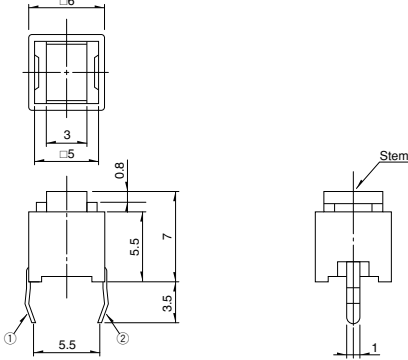
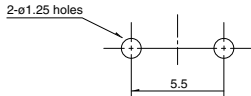

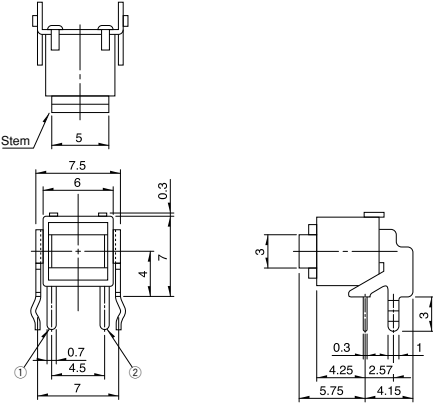
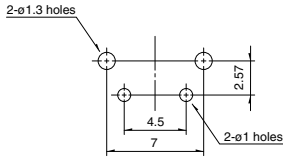
Note

Please place purchase orders per minimum order unit N (integer).

Refer to P.334 for soldering conditions.
Refer to P.336 for standard knobs.

Dimensions

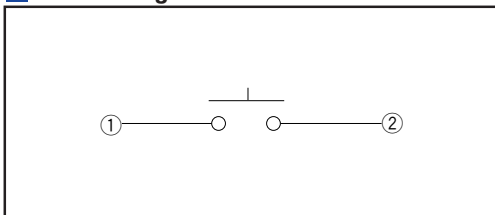
Unit:mm

No.	Photo	Style	PC board mounting hole dimensions (Viewed from switch mounting face)
2			
3			

- Detector
- Push
- Slide
- Rotary
- Encoders
- Power
- Dual-in-line Package Type
- TACT Switch™**
- Custom-Products

- Sharp Feeling
- Soft Feeling**
- Snap-in Type**
- Surface Mount Type
- Radial Type

Circuit Diagram












Note

Please use 1.6mm thick PC boards.
 (For horizontal type, 1.0mm)

List of Varieties

Soft Feeling Type

Series		SKEG	SKEG	SKEY	SKPF	SKPM	SKPG	SKPR	SKPL	SKPD	
Photo											
Type		Snap-in				Surface mount			Radial		
Features		—	Horizontal type	—	High operation force and long travel	Low contact resistance	—	High operation force and Low contact resistance	Round terminal and low contact resistance	—	
Operating direction	Vertical	●	—	●	●	●	●	●	●	●	
	Horizontal	—	●	—							
Dimensions (mm)	W	□6	7.5	□7.8	8	5.9	6.6	7.5	φ 6.45	□7.8	
	D		9.9		9	6	6.3	7.8			
	H	7	7.3	5	10	5		6.5	5		
Contact		Carbon				Silver	Carbon	Silver		Carbon	
Operation force coverage		1N	↕	↕	↕	↕	↕	↕	↕	↕	
		5N						●			
Travel (mm)		1		1 1.2	See the relevant pages for respective product descriptions	1.3		1	1.3	See the relevant pages for respective product descriptions	
Ground terminal		—									
Operating temperature range		-20°C to +70°C			-40°C to +90°C						
Automotive use		—		●	●	●	●	●	●	●	
Electrical performance	Insulation resistance	100MΩ min. 100V DC SKEY/PDAC, PDAL, PDAM : 50MΩ min. 100V DC									
	Voltage proof	250V AC for 1min. SKEY/PDAC, PDAL, PDAM : 100V AC for 1min.									
Durability	Vibration	10 to 55 to 10Hz/min., the amplitude is 1.5mm for all the frequencies, in the 3 direction of X, Y and Z for 2hours respectively									
	Lifetime	Shall be in accordance with individual specifications.									
Environmental performance	Cold	-30±2°C for 96h									
	Dry heat	80±2°C for 96h									
	Damp heat	60±2°C, 90 to 95%RH for 96h									
Page		325		327	328	329	330	331	332	333	

- Detector
- Push
- Slide
- Rotary
- Encoders
- Power
- Dual-in-line Package Type
- TACT Switch™
- Custom-Products

- Sharp Feeling
- Soft Feeling
- Snap-in Type
- Surface Mount Type
- Radial Type

W : Width. The most outer dimension excluding terminal portion.
 D : Depth. The most outer dimension excluding terminal portion.
 H : Height. The minimum dimension if there are variances.

- TACT Switch™ Soldering Conditions334
- TACT Switch™ Cautions335
- Product Line of Knobs for TACT Switch™336

Note

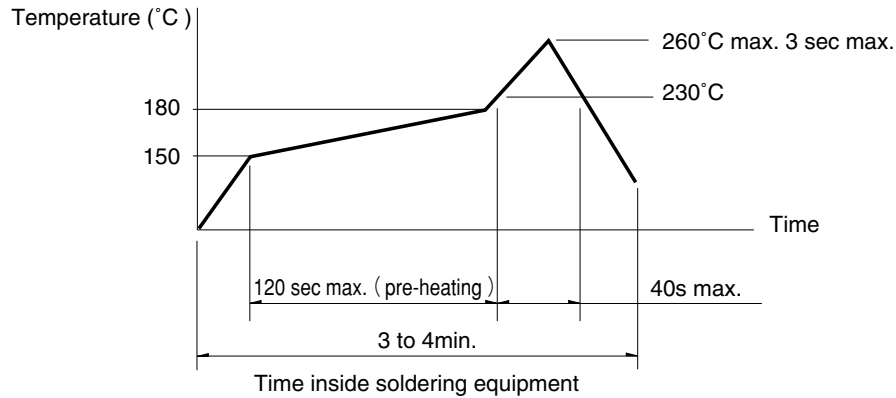
●marks in "Available for automotive use" indicate that all of the series products can work at the operating temperature range from -40°C to +85°C.

Soldering Conditions

Condition for Reflow

Available for Surface Mount Type.

1. Heating method: Double heating method with infrared heater.
2. Temperature measurement: Thermocouple 0.1 to 0.2φ CA (K) or CC (T) at solder joints (copper foil surface). A heat resistive tape should be used to fix thermocouple.
3. Temperature profile



Notes

1. The above temperature shall be measured of the top of switch. There are cases where the PC board's temperature greatly differs from that of the switch, depending on the material, size, thickness of PC boards and others. The above-stated conditions shall also apply to switch surface temperatures.
2. Soldering conditions differ depending on reflow soldering machines. Prior verification of soldering condition is highly recommended.

Conditions for Auto-dip

Available for Snap-in Type and Radial Type
(Except, SKHL, SKQJ, SKQK, SKEG series)

Items	Condition
Flux built-up	Mounting surface should not be exposed to fluk
Preheating temperature	Ambient temperature of the soldered surface of PC board. 100°C max.
Preheating time	60s max.
Soldering temperature	260°C max.
Duration of immersion	5s max.
Number of soldering	2times max.

Notes

1. Consult with us for availability of TACT Switch™ washing.
2. Prevent flux penetration from the top side of the TACT Switch™.
3. Switch terminals and a PC board should not be coated with flux prior to soldering.
4. The second soldering should be done after the switch is stable with normal temperature.
5. Use the flux with a specific gravity of min 0.81.
(EC-19S-8 by TAMURA Corporation, or equivalents.)

Manual Soldering (Except SKRT Series)

Items	Condition
Soldering temperature	350°Cmax.
Duration of soldering	3s max.
Capacity of soldering iron	60W max.

Detector

Push

Slide

Rotary

Encoders

Power

Dual-in-line
Package Type

TACT Switch™

Custom-
Products

Sharp
Feeling

Soft
Feeling


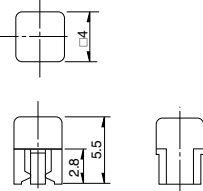

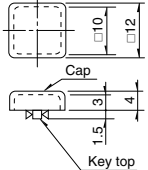


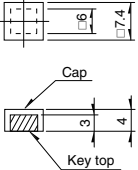
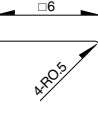
Snap-in
Type

Surface
Mount Type

Radial
Type

Product Line of Knobs

Unit:mm

Applicable model	Dimensions		Variety		Label dimensions (Unit:mm)		
			Color	Model			
SKHH Applicable to joint stem type			Keytop				
			Red Blue Ivory Black Yellow	SK2AA00410 SK2AA00420 SK2AA00430 SK2AA00440 SK2AA00450			
SKHC SKQE Applicable to joint stem type			Cap				
			Clear	SK2AA00510			
			Keytop		Keytop + Cap		Thickness 0.1
			Red Blue Ivory Black	SK2AA00010 SK2AA00020 SK2AA00030 SK2AA00040	SK2AA00060 SK2AA00070 SK2AA00080 SK2AA00090		
Keytop		Keytop + Cap					
SKEG Applicable to joint stem type			Cap				
			Clear	SK2AA00540			
			Keytop		Keytop + Cap		Thickness 0.1
			Red Blue Ivory Black Yellow	SK2AA00310 SK2AA00320 SK2AA00330 SK2AA00340 SK2AA00350	SK2AA00360 SK2AA00370 SK2AA00380 SK2AA00390 SK2AA00400		
Keytop		Keytop + Cap					

- Detector
- Push
- Slide
- Rotary
- Encoders
- Power
- Dual-in-line Package Type
- TACT Switch™**
- Custom-Products

- Sharp Feeling
- Soft Feeling
- Snap-in Type
- Surface Mount Type
- Radial Type**

Notes

1. The knob will be delivered together with the switch but packed separately.
2. The label is not included.
3. For SK2AA00010 to SK2AA00090 types, please check the mounting direction.

