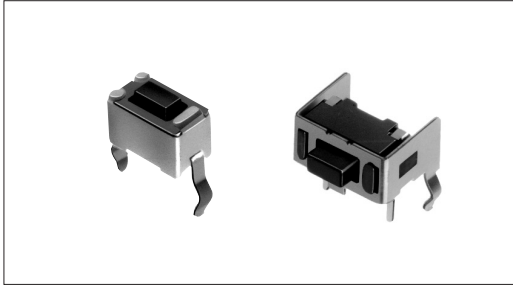


# TACT Switch™ 6×3.5mm Compact (Snap-in Type)

SKHL Series



A vertical and horizontal type switch contributing to high density mounting.



Detector

Push

Slide

Rotary

Encoders

Power

Dual-in-line  
Package Type

TACT Switch™

Custom-  
Products

## Product Line

### Vertical Type

Product No.	Operating force	Operating direction	Travel (mm)	Rating (max.)	Rating (min.)	Operating life (5mA 12V DC)	Initial contact resistance	Stem color	Stem height	Minimum order unit (pcs.)	Drawing No.
SKHLAAA010	0.98N	Vertical	0.25	50mA 12V DC	10μA 1V DC	50,000 cycles	500mΩ max.	Black	h=4.3mm	1,000	1
SKHLACA010	1.57N							Dark gray			
SKHLAJA010	2.55N							Red			
SKHLABA010	0.98N							Black	h=5mm		
SKHLADA010	1.57N							Dark gray			
SKHLAKA010	2.55N							Red			

Sharp  
Feeling

Soft  
Feeling

Snap-in  
Type

Surface  
Mount Type

Radial  
Type

### Horizontal Type

Product No.	Operating force	Operating direction	Travel (mm)	Rating (max.)	Rating (max.)	Operating life (5mA 5V DC)	Initial contact resistance	Stem color	Terminal length	Minimum order unit (pcs.)	Drawing No.
SKHLLAA010	0.98N	Horizontal	0.25	50mA 12V DC	10μA 1V DC	50,000 cycles	500mΩ max.	Black	ℓ = 3.5mm (PC board t: 1.6)	1,000	2
SKHLLBA010	1.57N							Dark gray			
SKHLLFA010	2.55N							Red			
SKHLLCA010	0.98N							Black	ℓ = 2.5mm (PC board t: 1.0)		
SKHLLDA010	1.57N							Dark gray			

## Packing Specifications

### Bulk

Number of packages (pcs.)		Export package measurements (mm)
1 case /Japan	1 case /export packing	
10,000	30,000	309 × 476 × 347

### Note

Please place purchase orders per minimum order unit N (integer).


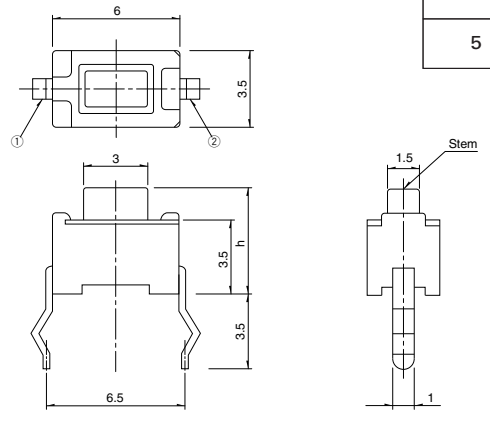
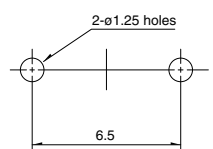
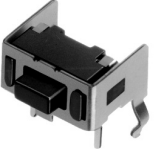
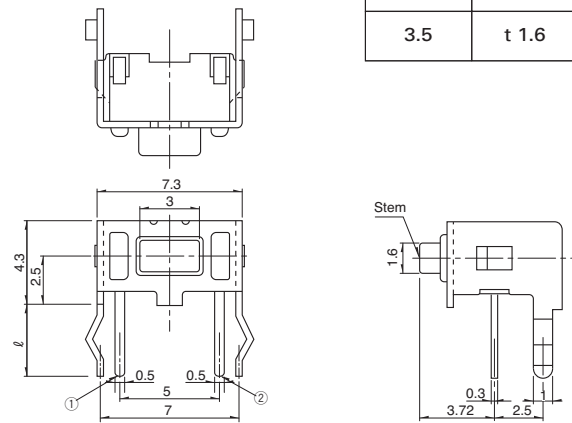
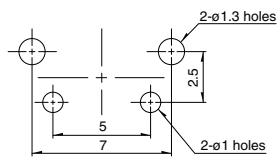
Refer to P.334 for soldering conditions.

- Detector
- Push
- Slide
- Rotary
- Encoders
- Power
- Dual-in-line  
Package Type
- TACT Switch™**
- Custom-  
Products

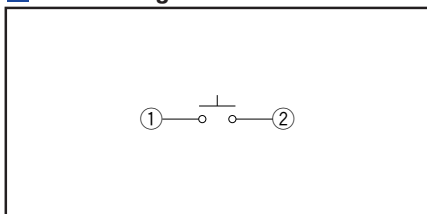
- Sharp  
Feeling
- Soft  
Feeling
- Snap-in  
Type**
- Surface  
Mount Type
- Radial  
Type

**Dimensions**

Unit:mm








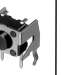
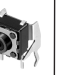


No.	Photo	Style	PC board mounting hole dimensions (Viewed from switch mounting face)						
1		<p><b>Vertical type</b></p>  <table border="1" style="margin-left: auto; margin-right: auto;"> <tr><td>h</td></tr> <tr><td>4.3</td></tr> <tr><td>5</td></tr> </table>	h	4.3	5				
h									
4.3									
5									
2		<p><b>Horizontal type</b></p>  <table border="1" style="margin-left: auto; margin-right: auto;"> <tr><td>ℓ</td><td>PC board</td></tr> <tr><td>2.5</td><td>t 1.0</td></tr> <tr><td>3.5</td><td>t 1.6</td></tr> </table>	ℓ	PC board	2.5	t 1.0	3.5	t 1.6	
ℓ	PC board								
2.5	t 1.0								
3.5	t 1.6								

**Circuit Diagram**



## List of Varieties

### Sharp Feeling Type

Series	SKHR	SKHL	SKHH	SKHW	SKRD	SKQJ	SKHL	SKHH	SKQJ	SKQB	SKQU	
Photo												
Type	Snap-in											
Features	_____			Dust-proof type	Horizontal type	—	Horizontal type			Water-proof	4-direction switch+push switch	
Operating direction	Vertical	●	●	●	●	—	●	_____			●	●
	Horizontal	_____				●	—	●	●	●	_____	
Dimensions (mm)	W	□4.5	6	□6		6.2	□6.6	7.3	7.5		□10	
	D		3.5		7.15			7.22	7.85			
	H	3.8	4.3		7.4	5	4.3	7.4	7.3	5	7.1	
Operation force coverage	1N	↕	↕	↕	↕	↕	↕	↕	↕	↕	See the relevant pages for respective product descriptions	
	5N			↕								
Travel (mm)	0.25			0.3	0.25				0.3			
Ground terminal	—	●	_____				●	_____				
Operating temperature range	-20°C to +70°C SKHL(Vertical Type)/QJ											
	-30°C to +85°C											
Automotive use	—	●	_____						●	—		
Electrical performance	Insulation resistance	100MΩ min. 100V DC										
	Voltage proof	250V AC for 1min.										
Durability	Vibration	10 to 55 to 10Hz/min., the amplitude is 1.5mm for all the frequencies, in the 3 direction of X, Y and Z for 2hours respectively										
	Lifetime	Shall be in accordance with individual specifications.										
Environmental performance	Cold	-30±2°C for 96h										
	Dry heat	80±2°C for 96h										
	Damp heat	60±2°C, 90 to 95%RH for 96h										
Page	281	282	284	288	289	290	282	284	290	292	485	

W : Width. The most outer dimension excluding terminal portion.  
D : Depth. The most outer dimension excluding terminal portion.  
H : Height. The minimum dimension if there are variances.

- TACT Switch™ Soldering Conditions .....334
- TACT Switch™ Cautions .....335
- Product Line of Knobs for TACT Switch™ .....336

### Notes

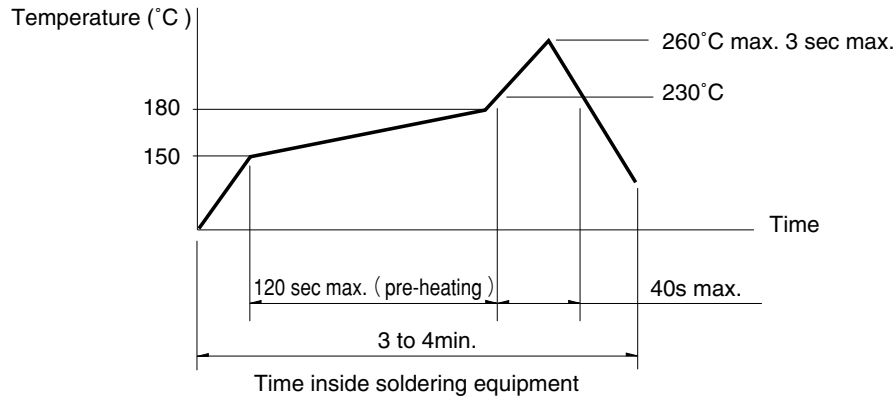
- The automotive operating temperature range to be individually discussed upon request.
- marks in "Available for automotive use" indicate that all of the series products can work at the operating temperature range from -40°C to +85°C.

## Soldering Conditions

### Condition for Reflow

Available for Surface Mount Type.

1. Heating method: Double heating method with infrared heater.
2. Temperature measurement: Thermocouple 0.1 to 0.2φ CA (K) or CC (T) at solder joints (copper foil surface). A heat resistive tape should be used to fix thermocouple.
3. Temperature profile



### Notes

1. The above temperature shall be measured of the top of switch. There are cases where the PC board's temperature greatly differs from that of the switch, depending on the material, size, thickness of PC boards and others. The above-stated conditions shall also apply to switch surface temperatures.
2. Soldering conditions differ depending on reflow soldering machines. Prior verification of soldering condition is highly recommended.

### Conditions for Auto-dip

Available for Snap-in Type and Radial Type  
(Except, SKHL, SKQJ, SKQK, SKEG series)

Items	Condition
Flux built-up	Mounting surface should not be exposed to fluk
Preheating temperature	Ambient temperature of the soldered surface of PC board. 100°C max.
Preheating time	60s max.
Soldering temperature	260°C max.
Duration of immersion	5s max.
Number of soldering	2times max.

### Notes

1. Consult with us for availability of TACT Switch™ washing.
2. Prevent flux penetration from the top side of the TACT Switch™.
3. Switch terminals and a PC board should not be coated with flux prior to soldering.
4. The second soldering should be done after the switch is stable with normal temperature.
5. Use the flux with a specific gravity of min 0.81.  
(EC-19S-8 by TAMURA Corporation, or equivalents.)

### Manual Soldering (Except SKRT Series)

Items	Condition
Soldering temperature	350°Cmax.
Duration of soldering	3s max.
Capacity of soldering iron	60W max.

Detector

Push

Slide

Rotary

Encoders

Power

Dual-in-line  
Package Type

TACT Switch™

Custom-  
Products

Sharp  
Feeling

Soft  
Feeling

Snap-in  
Type

Surface  
Mount Type

Radial  
Type