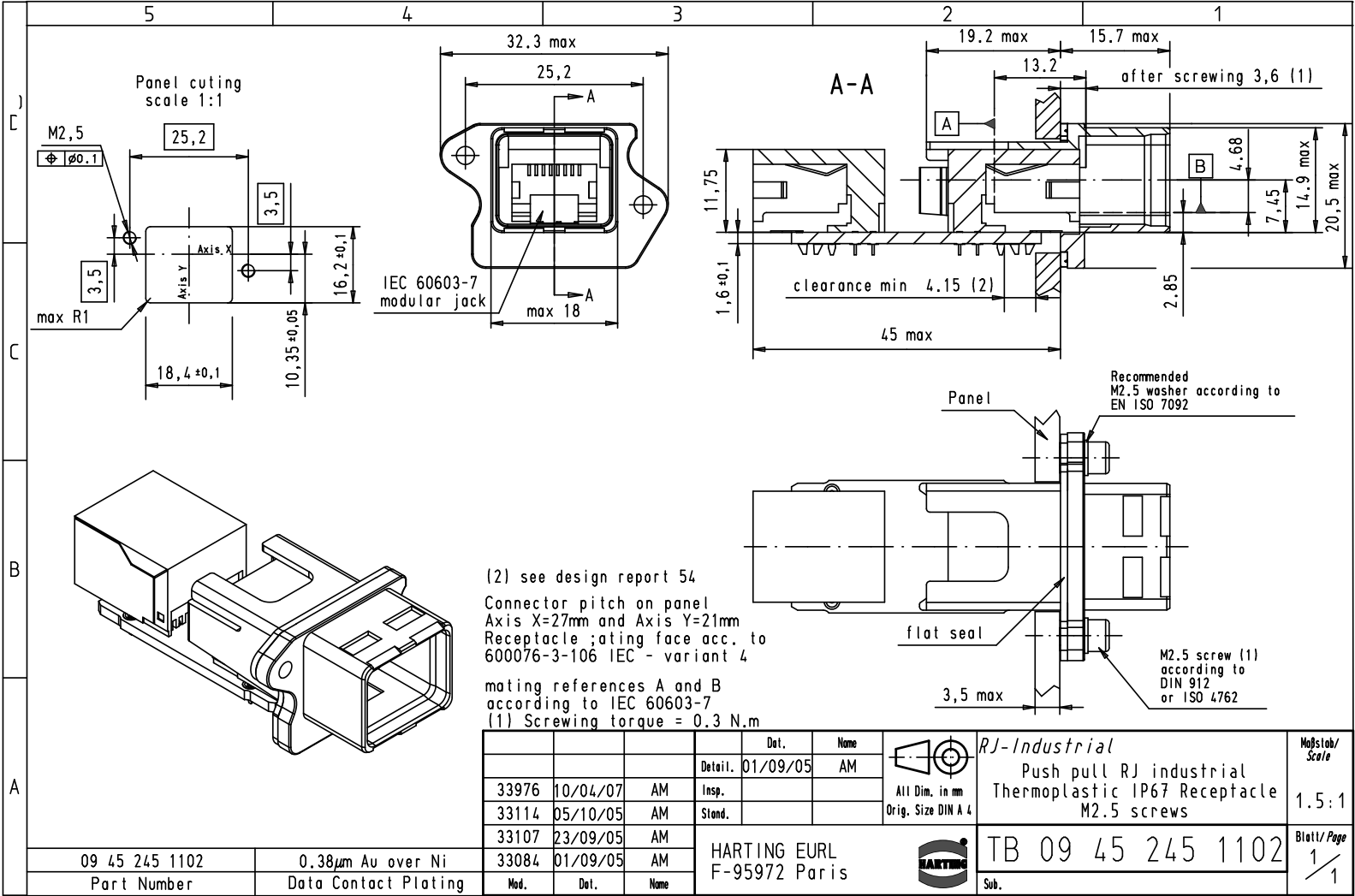



Alle Rechte vorbehalten/ All rights reserved



(2) see design report 54
 Connector pitch on panel
 Axis X=27mm and Axis Y=21mm
 Receptacle ;ating face acc. to
 600076-3-106 IEC - variant 4
 mating references A and B
 according to IEC 60603-7
 (1) Screwing torque = 0.3 N.m

Mod.	Det.	Name	Det.	Name	 RJ-Industrial Push pull RJ industrial Thermoplastic IP67 Receptacle M2.5 screws	Maßstab/ Scale	
	01/09/05	AM	Detail.	01/09/05		All Dim. in mm Orig. Size DIN A 4	1.5:1
33976	10/04/07	AM	Insp.				
33114	05/10/05	AM	Stand.				
33107	23/09/05	AM					
33084	01/09/05	AM	HARTING EURL F-95972 Paris		TB 09 45 245 1102 Sub.	Blatt/ Page 1 / 1	
09 45 245 1102	0.38µm Au over Ni						
Part Number	Data Contact Plating						