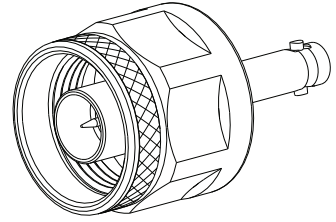
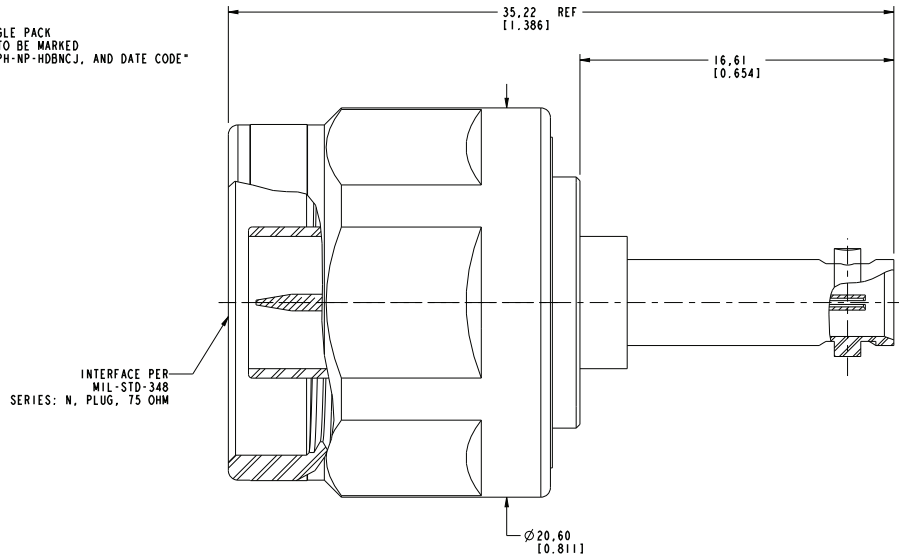


NOTES:

1. MATERIALS AND FINISHES:
 BODIES - STAINLESS STEEL, PASSIVATED
 CONTACT - BeCu, GOLD PLATING
 INSULATOR - PTFE
2. ELECTRICAL:
 A. IMPEDANCE: 75 OHM
 B. FREQUENCY RANGE: DC - 4 GHz
3. MECHANICAL:
 A. DURABILITY: 500 CYCLES MIN.
 B. TEMPERATURE RANGE: -65° C TO +100° C
4. PACKAGING:
 A. QUANTITY: SINGLE PACK
 B. MARKING: BAG TO BE MARKED
 "AMPHENOLRF, APH-NP-HDBNCJ, AND DATE CODE"

THIRD ANGLE PROJ.

REVISIONS				
REV	DESCRIPTION	DATE	ECO	APPR
1	PROTOTYPE RELEASE	22-Mar-10	--	KR



SCALE 2.500

CUSTOMER OUTLINE DRAWING
 ALL OTHER SHEETS ARE FOR INTERNAL USE ONLY

UNLESS OTHERWISE SPECIFIED, DIMENSIONS ARE IN METRIC AND TOLERANCES ARE: <0.5mm ±0.05mm 0.5 - 6mm ±0.1mm 6 - 30mm ±0.2mm 30 - 120mm ±0.3mm ANGLES ±1° NOTICE - These drawings, specifications, or other data (1) are, and remain the property of Amphenol Corp. (2) must be returned upon request; and (3) are confidential and not to be disclosed to any person other than those to whom they are given by Amphenol Corp. The furnishing of these drawings, specifications, or other data by Amphenol Corp., or to any other person for any purpose is not to be regarded by implication or otherwise in any manner licensing, granting rights to permitting such holder or any other person to manufacture, use or sell any product, process or design, patented or otherwise, that may in any way be related to or disclosed by said drawings, specifications, or other data.	MATERIAL	DRAWN	DATE	TITLE	Amphenol RF Danbury CT USA, Taiwan, Taiwan, Shenzhen, China www.amphenolrf.com	
	SEE NOTES	KARTHIK R	22-Mar-10			ADAPTOR, 75 OHM N PLUG TO HD BNC JACK
	REFERENCE	APPROVED	DATE	SCALE: 5.0:1.0	SHEET 2 OF 2	DRAWING NO. APH-NP-HDBNCJ
	EAR #4100 CONFIGURATION LEVEL: Prototype	CAD FILE	Root Folder/HD-BNC/APH-NP-HDBNCJ	DWG SIZE	REV	ITEM NO. APH-NP-HDBNCJ
FINISH			B	1	PART NO. APH-NP-HDBNCJ	