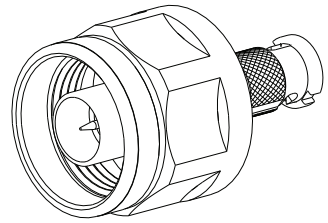
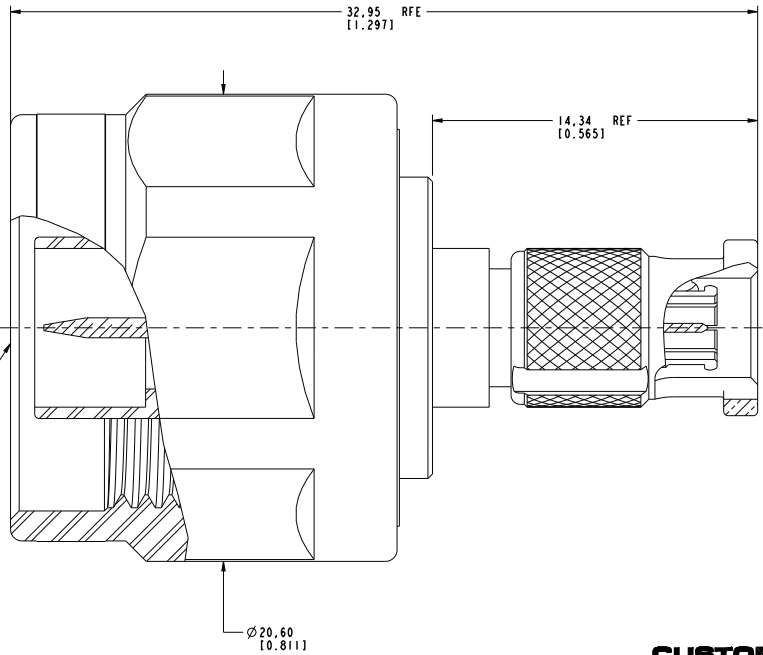


- NOTES:
- MATERIALS AND FINISHES:
 BODY - STAINLESS STEEL, PASSIVATED
 CONTACT - BeCu, GOLD PLATING
 OUTER CONTACT - BeCu, NICKEL PLATING
 INSULATOR - PTFE
 BAYONET - BRASS, NICKEL PLATING
 - ELECTRICAL:
 A. IMPEDANCE: 75 OHM
 B. FREQUENCY RANGE: DC - 4 GHz
 - MECHANICAL:
 A. DURABILITY: 500 CYCLES MIN.
 B. TEMPERATURE RANGE: -65° C TO +100° C
 - PACKAGING:
 A. QUANTITY: SINGLE PACK
 B. MARKING: BAG TO BE MARKED
 AMPHENORLF, APH-NP-HDBNCP, AND DATE CODE

THIRD ANGLE PROJ.

REVISIONS				
REV	DESCRIPTION	DATE	ECO	APPR
1	PROTOTYPE RELEASE	29-Mar-10	--	KR



SCALE 2.500

CUSTOMER OUTLINE DRAWING
 ALL OTHER SHEETS ARE FOR INTERNAL USE ONLY

UNLESS OTHERWISE SPECIFIED, DIMENSIONS ARE IN METRIC AND TOLERANCES ARE: <0.5mm ±0.05mm 0.5 - 6mm ±0.1mm 6 - 30mm ±0.2mm 30 - 120mm ±0.3mm ANGLES ±1° NOTICE - These drawings, specifications, or other data (1) are, and remain the property of Amphenol Corp. (2) must be returned upon request; and (3) are confidential and not to be disclosed to any person other than those to whom they are given by Amphenol Corp. The furnishing of these drawings, specifications, or other data by Amphenol Corp., or to any other person for any purpose is not to be regarded by implication or otherwise in any manner licensing, granting rights to permitting such holder or any other person to manufacture, use or sell any product, process or design, patented or otherwise, that may in any way be related to or disclosed by said drawings, specifications, or other data.	MATERIAL	DRAWN	DATE	TITLE	Amphenol RF Danbury CT USA, Taiwan, Taiwan, Shenzhen, China www.amphenorlf.com	
	SEE NOTES	KARTHIK R	29-Mar-10			ADAPTOR, 75 OHM N PLUG TO HD BNC PLUG
	REFERENCE	ENGINEER	DATE	APPROVED	SCALE: 6.0:1.0	SHEET 2 OF 2
	EAR # 4100	KARTHIK R	29-Mar-10		DWG SIZE	REV
CONFIGURATION LEVEL: Prototype	FINISH	Root Folder/HD-BNC/APH-NP-HDBNCP		B	I	DRAWING NO. APH-NP-HDBNCP
						ITEM NO. APH-NP-HDBNCP
						PART NO. APH-NP-HDBNCP