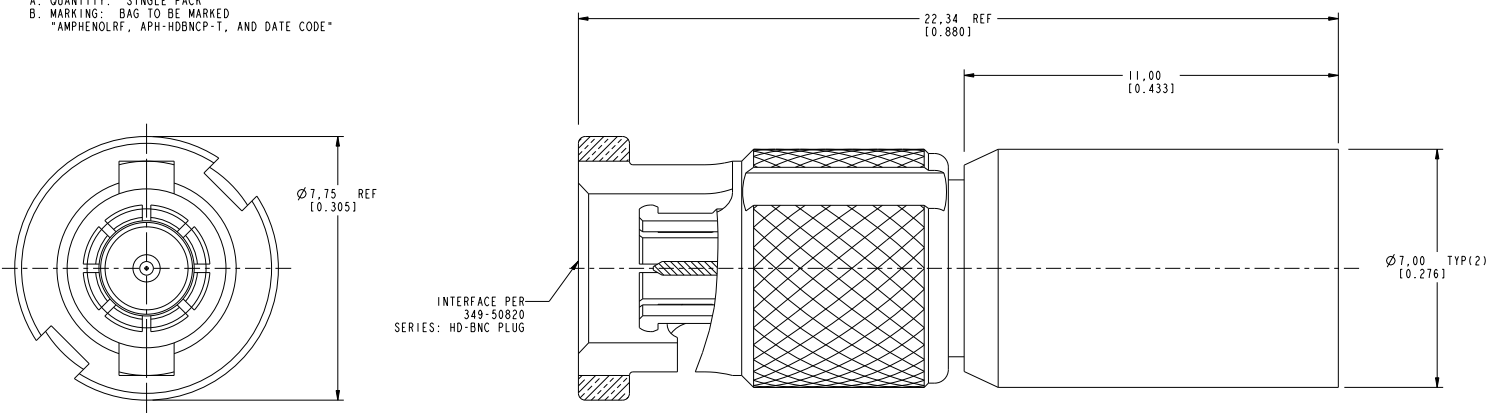
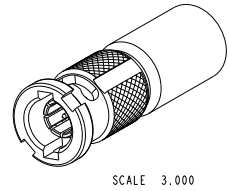


NOTES: THIRD ANGLE PROJ. 

1. MATERIALS AND FINISHES:
 BODY - BRASS, GOLD PLATING
 OUTER BODY - BeCu, GOLD PLATING
 BAYONET SLEEVE - BRASS, NICKEL PLATING
 CONTACT - BeCu, GOLD PLATING
 INSULATOR - PTFE
2. ELECTRICAL:
 A. IMPEDANCE: 75 OHM
 B. FREQUENCY RANGE: DC - 4 GHz
 C. RETURN LOSS: 30 dB MIN @ 3 GHz
3. MECHANICAL:
 A. DURABILITY: 500 CYCLES MIN.
 B. TEMPERATURE RANGE: -65° C TO +165° C
4. HIGH DENSITY INSTALLATION/REMOVAL TOOL: 227-T2000.
5. PACKAGING:
 A. QUANTITY: SINGLE PACK
 B. MARKING: BAG TO BE MARKED
 "AMPHENOLRF, APH-HDBNCP-T, AND DATE CODE"

REVISIONS				
REV	DESCRIPTION	DATE	ECO	APPR
A	RELEASED TO MFG	7/19/10	48098	NMW



CUSTOMER OUTLINE DRAWING
 ALL OTHER SHEETS ARE FOR INTERNAL USE ONLY

UNLESS OTHERWISE SPECIFIED, DIMENSIONS ARE IN METRIC AND TOLERANCES ARE: <0.5mm ±0.05mm 0.5 - 6mm ±0.1mm 6 - 30mm ±0.2mm 30 - 120mm ±0.3mm ANGLES ±1° NOTICE - These drawings, specifications, or other data (1) are, and remain the property of Amphenol Corp., (2) must be returned upon request; and (3) are confidential and not to be disclosed to any person other than those to whom they are given by Amphenol Corp. The furnishing of these drawings, specifications, or other data by Amphenol Corp., or to any other person to anyone for any purpose is not to be regarded by implication or otherwise in any manner licensing, granting rights to permitting such holder or any other person to manufacture, use or sell any product, process or design, patented or otherwise, that may in any way be related to or disclosed by said drawings, specifications, or other data.	MATERIAL SEE NOTES	DRAWN NISCHIT MV	DATE 11-Mar-10	TITLE HD-BNC, PLUG TERMINATION	Amphenol RF Danbury CT USA, Tainan, Taiwan, Shenzhen, China www.amphenolrf.com	
	REFERENCE EAR # 3969	ENGINEER NISCHIT MV	DATE 11-Mar-10			DRAWING NO. APH-HDBNCP-T
	CONFIGURATION LEVEL: Prototype	APPROVED K. CAPOZZI	DATE 7/19/10	SCALE: 9.0:1.0	SHEET 2 OF 2	ITEM NO. APH-HDBNCP-T
	FINISH	Root Folder/HD-BNC/APH-HDBNCP-T		DWG SIZE B	REV A	PART NO. APH-HDBNCP-T