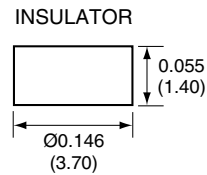
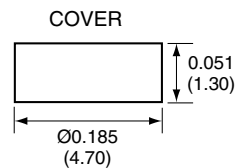
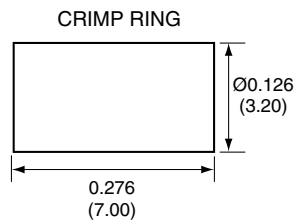
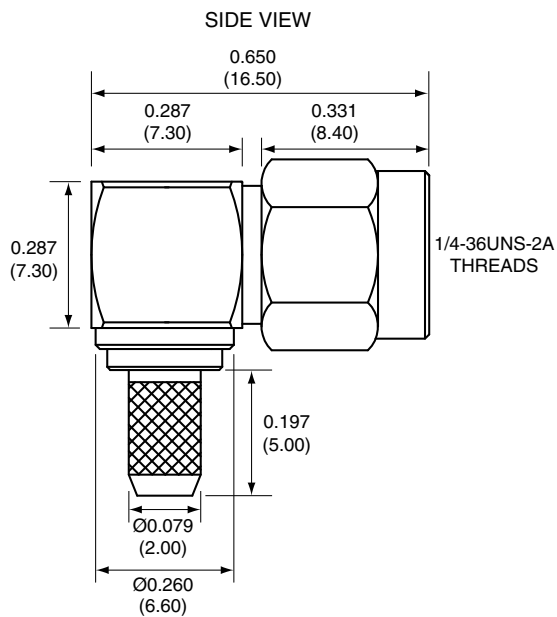
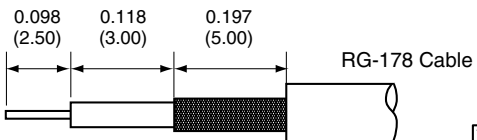


1			2	3	4
Description	Material	Finish			
Body	Brass	Nickel			
Pin	Brass	Gold			
Insulation	Teflon	Teflon			
Washer	PH Bronze	Gold			
Gasket	SI Rubber	Rubber			
Crimp Ring	Brass	Nickel			
Insulator	Teflon	Teflon			
Cover	Brass	Nickel			



RECOMMENDED CABLE STRIPPING DIMENSIONS



Title		SMA MALE RIGHT ANGLE CABLE END CRIMP FOR RG178 CABLE		CONNECTOR CITY 159 ORT LANE MERLIN, OR 97532	
Part No.	CONMA012-R178	Revision:	1.1	PH (541)-471-6256	FAX (541)-471-6251
Dimensions:	INCHES (mm)	Date:	10/15/2008	Sheet 1 of 1	

**CONNECTOR CITY**  
THE VALUE OF CONNECTIONS