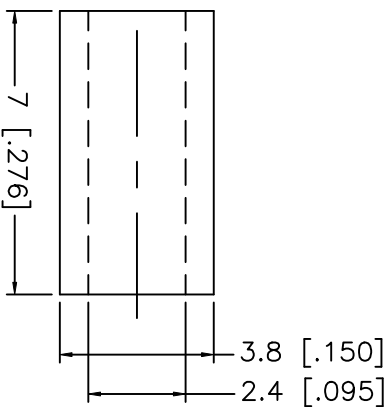
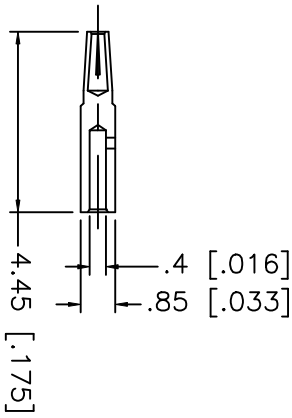
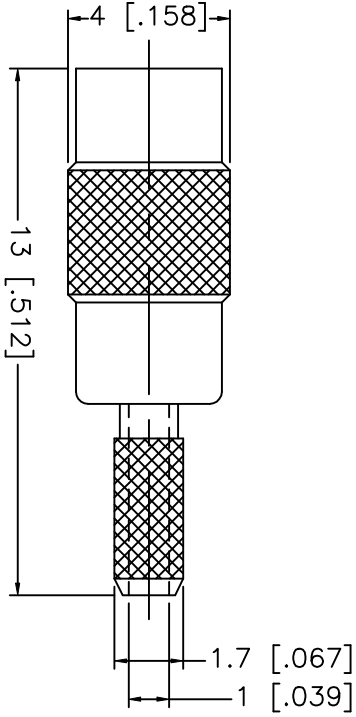
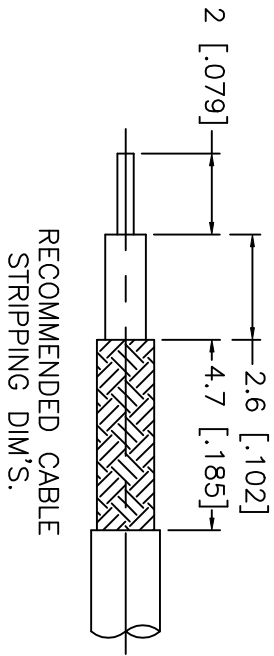


REV.	DATE	DESCRIPTION
A	01/12/02	MODIFY FERRULE LENGTH



DESCRIPTION	MATERIAL	FINISH	UNLESS OTHERWISE SPECIFIED DIMENSIONS ARE IN MILLIMETERS	APPROVALS	DATE	TITLE
1 BODY	BRASS	GOLD	DIMENSIONS IN [] ARE IN INCHES FOR CUSTOMER REFERENCE ONLY UNLESS OTHERWISE SPECIFIED TOLERANCES FOR INCHES ARE: .XXX = ± 0.005" .XX = ± 0.010" .X = ± 0.020" DO NOT SCALE DRAWING	DRAWN	01/12/02	Amphenol - Connex CONNECTOR CORPORATION MMCX CRIMP JACK (FOR RG-178B/u, 196A/u CABLE)
2 INSULATOR	TEFLON	NATURAL		CHECKED		
3 BARREL	BRASS	GOLD		ISSUED		
4 CONTACT PIN	BER. COPPER	GOLD				
5 FERRULE	COPPER	GOLD				
6						
7						
8						

SIZE	FSCM NO.	DWG. NO.	REV.
A	99001	262117.DWG	A
SCALE	PART NO.	SHEET	
NA	262117	1 OF 1	