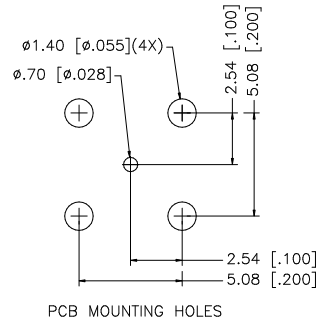
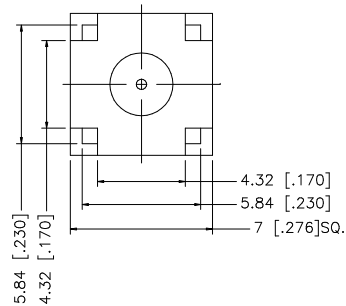
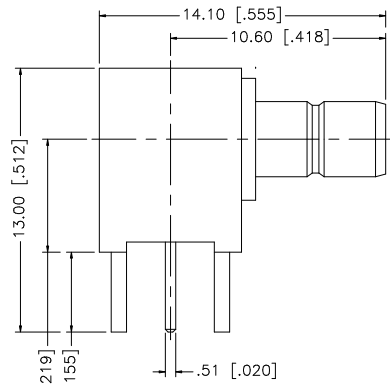


| REV. | DATE     | DESCRIPTION           |
|------|----------|-----------------------|
| A    | 01/30/04 | UPDATE DRAWING FORMAT |



|   |             |        |         | UNLESS OTHERWISE SPECIFIED DIMENSIONS ARE IN MILLIMETERS; DIMENSIONS IN [ ] ARE IN INCHES AND FOR CUSTOMER REFERENCE ONLY.                                                                                                                                             | APPROVALS | DATE                 | <b>Amphenol Connex</b> |                              |  |          |
|---|-------------|--------|---------|------------------------------------------------------------------------------------------------------------------------------------------------------------------------------------------------------------------------------------------------------------------------|-----------|----------------------|------------------------|------------------------------|--|----------|
| 8 |             |        |         |                                                                                                                                                                                                                                                                        | DRAWN     | G.R.S.               |                        |                              |  | 01/30/04 |
| 7 |             |        |         |                                                                                                                                                                                                                                                                        | CHECKED   |                      |                        | PART NO.<br><b>142146-75</b> |  |          |
| 6 |             |        |         |                                                                                                                                                                                                                                                                        | ISSUED    |                      |                        |                              |  |          |
| 5 |             |        |         |                                                                                                                                                                                                                                                                        | SHEET     | 1 OF 1               |                        | REV. A SIZE A SCALE NA       |  |          |
| 4 |             |        |         |                                                                                                                                                                                                                                                                        | CAD FILE  | C:/142/142146-75.DWG |                        |                              |  |          |
| 3 | CONTACT PIN | BRASS  | GOLD    | 1                                                                                                                                                                                                                                                                      |           |                      |                        |                              |  |          |
| 2 | INSULATOR   | TEFLON | NATURAL | 2                                                                                                                                                                                                                                                                      |           |                      |                        |                              |  |          |
| 1 | BODY        | BRASS  | GOLD    | 1                                                                                                                                                                                                                                                                      |           |                      |                        |                              |  |          |
|   |             |        |         | UNLESS OTHERWISE SPECIFIED TOLERANCES FOR MILLIMETERS ARE:<br>0.5 - 8mm ± 0.20mm<br>8 - 30mm ± 0.40mm<br>30 - 120mm ± 0.50mm<br>UNLESS OTHERWISE SPECIFIED TOLERANCES FOR INCHES ARE:<br>.020 - .315 = ± 0.007"<br>.315 - 1.180 = ± 0.015"<br>1.180 - 4.724 = ± 0.020" |           |                      |                        |                              |  |          |