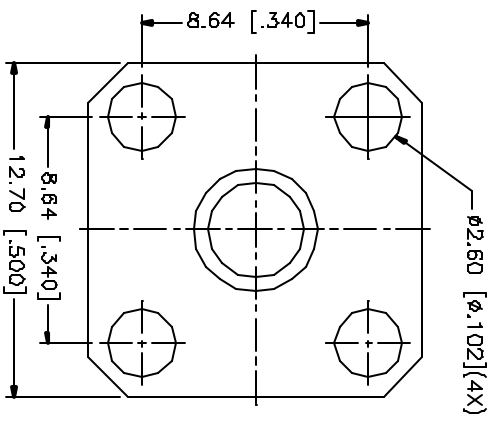
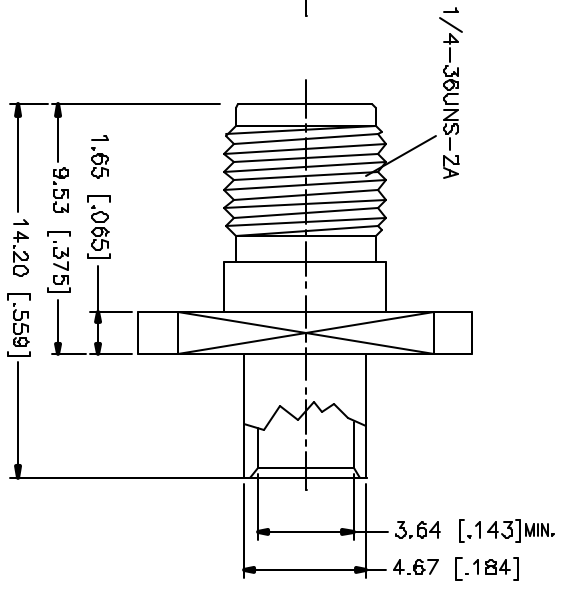
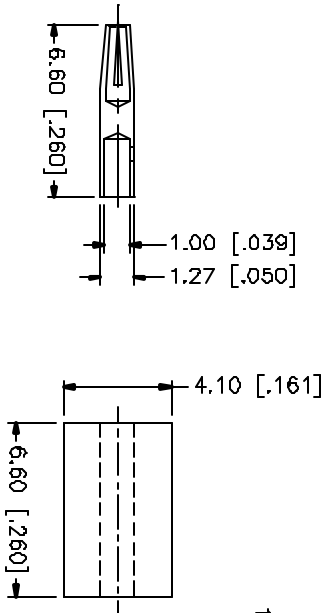
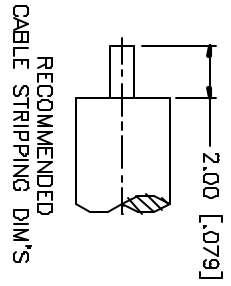


REV.	DATE	DESCRIPTION
A	05/24/05	UPDATE DRAWING FORMAT



REV	DESCRIPTION	MATERIAL	FINISH	QTY
1	INSULATOR BODY	BER. COPPER	NATURAL	1
2	INSULATOR BODY	TEFLON	NATURAL	1
3	CONTACT PIN	BER. COPPER	GOLD	1
4				
5				
6				
7				
8				
9				
10				
11				
12				
13				
14				
15				
16				
17				
18				
19				
20				
21				
22				
23				
24				
25				
26				
27				
28				
29				
30				
31				
32				
33				
34				
35				
36				
37				
38				
39				
40				
41				
42				
43				
44				
45				
46				
47				
48				
49				
50				
51				
52				
53				
54				
55				
56				
57				
58				
59				
60				
61				
62				
63				
64				
65				
66				
67				
68				
69				
70				
71				
72				
73				
74				
75				
76				
77				
78				
79				
80				
81				
82				
83				
84				
85				
86				
87				
88				
89				
90				
91				
92				
93				
94				
95				
96				
97				
98				
99				
100				

Amphenol Connex

SMA 4-HOLE PANEL JACK
(FOR .141" SEMI-RIGID CABLE)

132108

APPROVALS	DATE
DRAWN: G.R.S.	05/24/05
CHECKED:	
ISSUED:	
SHEET: 1 OF 1	

APPROVALS	DATE
DRAWN: G.R.S.	05/24/05
CHECKED:	
ISSUED:	
SHEET: 1 OF 1	
CAD FILE	
C:/132/132108.DWG	
DWG. NO.	132108.DWG
REV.	A
SIZE	A
SCALE	NA

UNLESS OTHERWISE SPECIFIED, DIMENSIONS ARE IN MILLIMETERS. DIMENSIONS IN [] ARE IN INCHES AND ARE GIVEN FOR REFERENCE ONLY.
TOLERANCES FOR ALL DIMENSIONS:
A - 0.5 - 0.1mm ± 0.25mm
B - 0.5 - 0.1mm ± 0.40mm
C - 1.20mm ± 0.50mm
UNLESS OTHERWISE SPECIFIED, DIMENSIONS ARE IN MILLIMETERS.
TOLERANCES FOR DIMENSIONS:
A - 0.25 - 0.15 = ± 0.007"
B - 0.315 - 1.180 = ± 0.015"
C - 1.180 - 4.724 = ± 0.020"

REV	DESCRIPTION	MATERIAL	FINISH	QTY
1	INSULATOR BODY	BER. COPPER	NATURAL	1
2	INSULATOR BODY	TEFLON	NATURAL	1
3	CONTACT PIN	BER. COPPER	GOLD	1
4				
5				
6				
7				
8				
9				
10				
11				
12				
13				
14				
15				
16				
17				
18				
19				
20				
21				
22				
23				
24				
25				
26				
27				
28				
29				
30				
31				
32				
33				
34				
35				
36				
37				
38				
39				
40				
41				
42				
43				
44				
45				
46				
47				
48				
49				
50				
51				
52				
53				
54				
55				
56				
57				
58				
59				
60				
61				
62				
63				
64				
65				
66				
67				
68				
69				
70				
71				
72				
73				
74				
75				
76				
77				
78				
79				
80				
81				
82				
83				
84				
85				
86				
87				
88				
89				
90				
91				
92				
93				
94				
95				
96				
97				
98				
99				
100				

REV	DESCRIPTION	MATERIAL	FINISH	QTY
1	INSULATOR BODY	BER. COPPER	NATURAL	1
2	INSULATOR BODY	TEFLON	NATURAL	1
3	CONTACT PIN	BER. COPPER	GOLD	1
4				
5				
6				
7				
8				
9				
10				
11				
12				
13				
14				
15				
16				
17				
18				
19				
20				
21				
22				
23				
24				
25				
26				
27				
28				
29				
30				
31				
32				
33				
34				
35				
36				
37				
38				
39				
40				
41				
42				
43				
44				
45				
46				
47				
48				
49				
50				
51				
52				
53				
54				
55				
56				
57				
58				
59				
60				
61				
62				
63				
64				
65				
66				
67				
68				
69				
70				
71				
72				
73				
74				
75				
76				
77				
78				
79				
80				
81				
82				
83				
84				
85				
86				
87				
88				
89				
90				
91				
92				
93				
94				
95				
96				
97				
98				
99				
100				

</