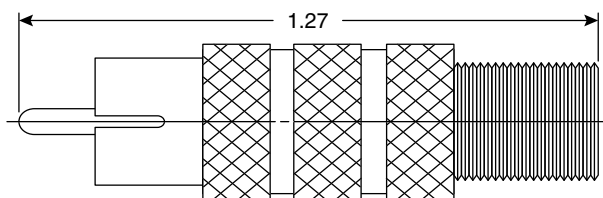
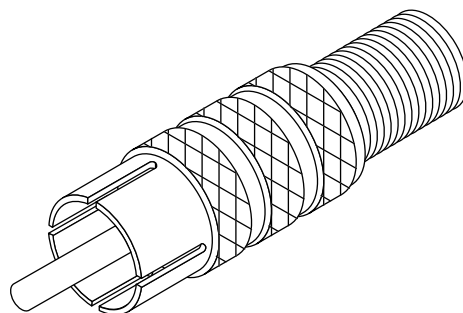


RCA Phono Plug - "F" Jack

161-9710



RCA Phono Plug - "F" Jack



DIMENSIONS IN

SPECIFICATIONS	
Type:	RCA phono plug to "F" jack
Pin:	nickel plated
Insulation:	delrin

Date Last Revised: 4-20-05

Available from Mouser Electronics
1-800-346-6873
www.mouser.com

KC-300592

161-9710