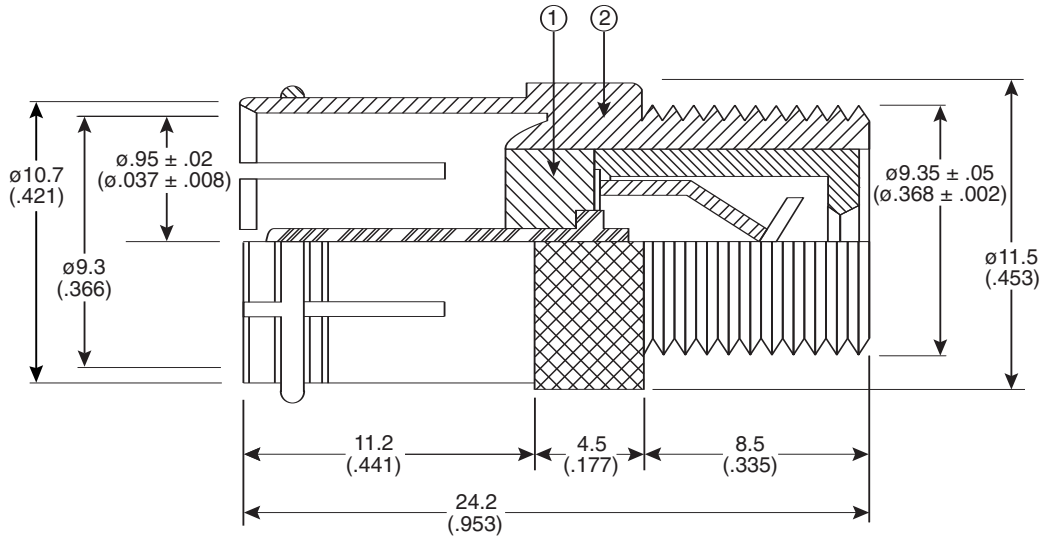


"F" Jack - Plug Push On

161-5369



"F" Jack - Plug Push On



DIMENSIONS mm (IN)

SPECIFICATIONS	
Body:	brass, nickel
Insulator 1:	polypropylene
Insulator 2:	delrin
Center Pin:	brass, tin

Date Last Revised: 4-21-05

Available from Mouser Electronics
1-800-346-6873
www.mouser.com

KC-300600

161-5369