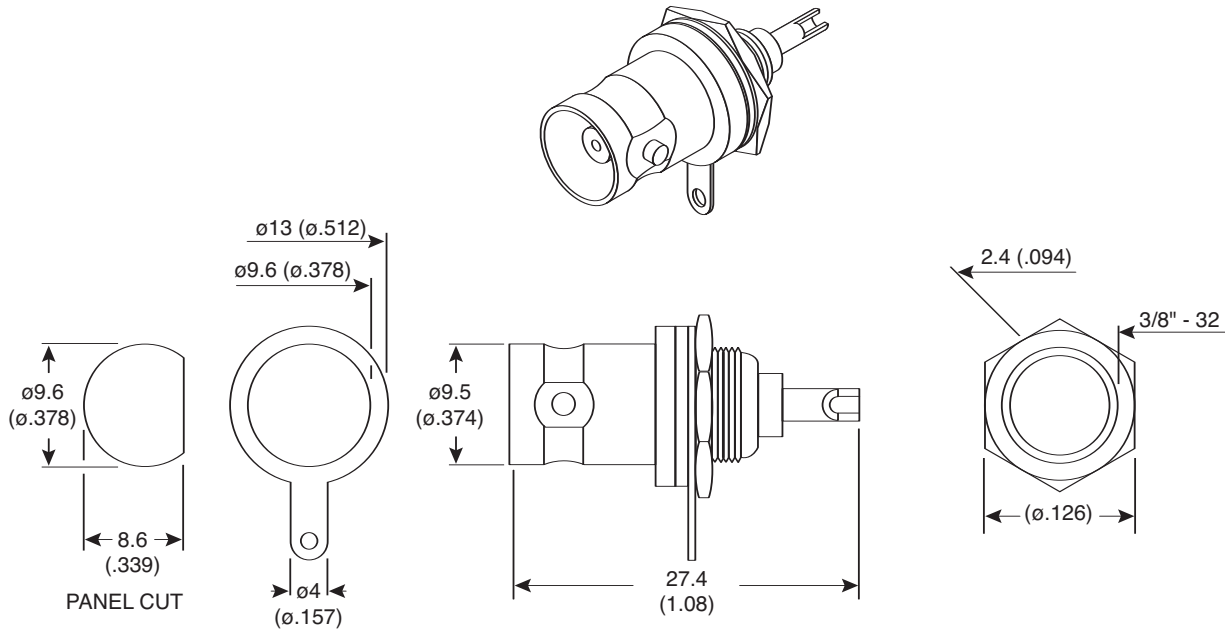


# BNC Female Connector

161-9323



BNC Female Connector



Dimensions: mm (In.)

SPECIFICATIONS	
Type:	BNC chassis receptacle
Voltage rating:	500VAC
Contact resistance:	3mΩ max @ 1A DC
Insulation resistance:	1GΩ min. @ 500VDC
Withstand voltage:	1500VAC for 1 minute
Frequency range:	Frequency range: 0~4GHz
VSWR:	1.2 max. @ 0~2GHz
Impedance:	50Ω
Insulator:	Delrin
Pin:	gold plated brass
Body:	die cast nickel plated
All other metal is nickel plated brass.	

Date Last Revised: 1-14-05

Available from Mouser Electronics  
1-800-346-6873  
www.mouser.com

KC- 300231

161-9323