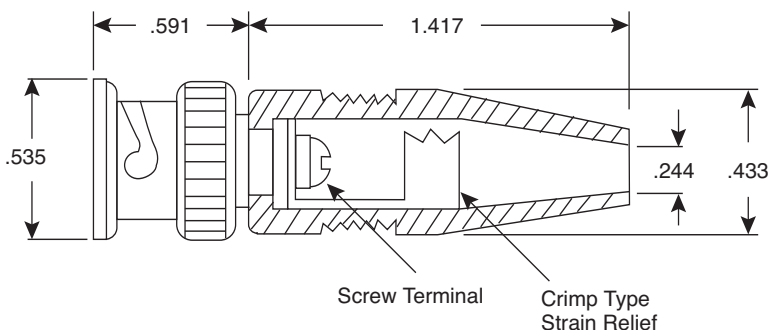
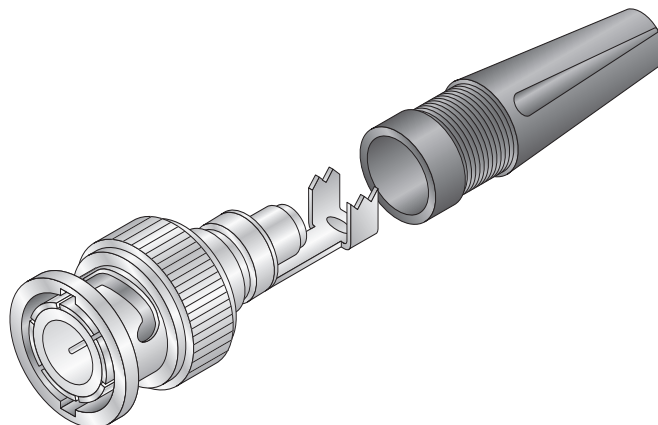


# BNC Plug Solderless W/Strain Relief

171-9311



BNC Plug Solderless W/Strian Relief



Dimensions: In.

SPECIFICATIONS	
<b>Boot:</b>	PE, Black
<b>Insulator:</b>	Delrin, White
<b>Contact:</b>	Brass, Nickel
<b>Body:</b>	Brass, Nickel
<b>Tolerances:</b>	0.5-6 = ±0.2mm; 6-30 = ±0.4mm; 30-120 = ±0.6mm

Date Last Revised: 4-20-05

Available from Mouser Electronics  
1-800-346-6873  
www.mouser.com

KC-300583

161-9311