

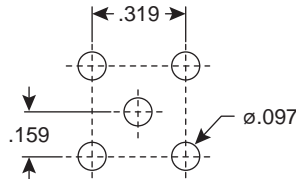
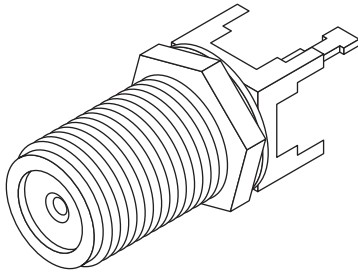
F-61 PC Mount Receptacle

161-5370

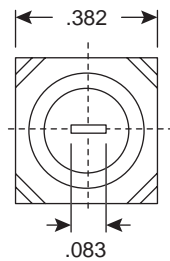


F-61 PC Mount Receptacle

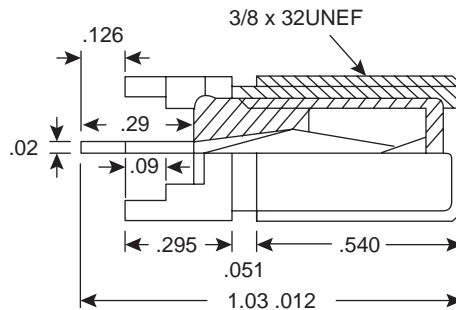
Dimensions: In.



PCB Hole Layout



Bottom View



SPECIFICATIONS

Type:	F-61, PC mounting style
Impedance:	75 ohm nom.
Voltage:	150VAC
Withstand voltage:	500VAC for one minute
Insulation resistance:	500M ohm min. @ 500VDC
Contact resistance:	5m ohm @ 1A DC
VSWR:	1.2 max. @ 0-1,500 MHz
Body & Pin:	Brass
Insulator:	Polypropylene
Hardware:	Nut & washer

Date Last Revised: 10-21-04

Available from Mouser Electronics
1-800-346-6873
www.mouser.com

KC-300171

161-5370