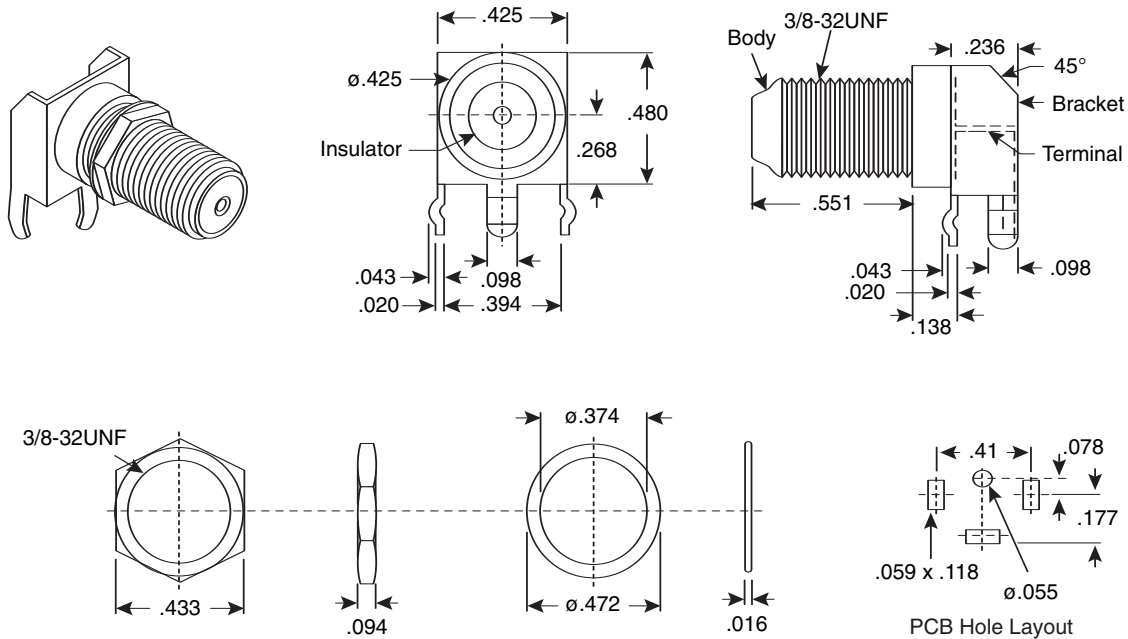


"F" Right Angle Jack

161-5372

KOBICONN

"F" Right Angle Jack



DIMENSIONS IN.

SPECIFICATIONS

Type:	right angle, panel mount, F receptacle
Voltage:	150VAC max.
Current:	1A
Frequency Range:	1500Mhz
Insulator:	polypropylene
Body, Nut:	nickel plated brass
Terminal:	tin plated brass
Washer:	nickel plated CRS
Bracket:	tin plated CRS

Date Last Revised: 4-21-05

Available from Mouser Electronics
1-800-346-6873
www.mouser.com

KC-300598

161-5372