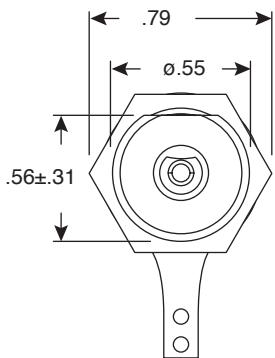
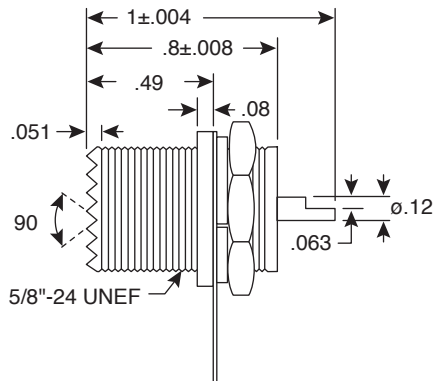
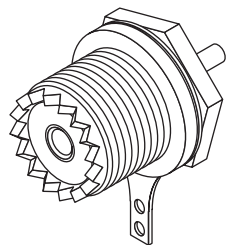


# UHF Connector

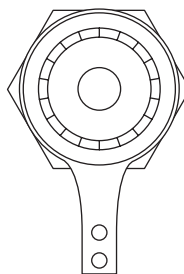
16PJ104-EX



UHF Connector



Back View



Front View

Dimensions: In.

SPECIFICATIONS	
Type:	UHF, front panel mount
Amphenol Type:	83-875
RoHS Compliant by Exemption	

Date Last Revised: 12-9-05

Available from Mouser Electronics  
1-800-346-6873  
www.mouser.com

KC-300921

16PJ104-EX