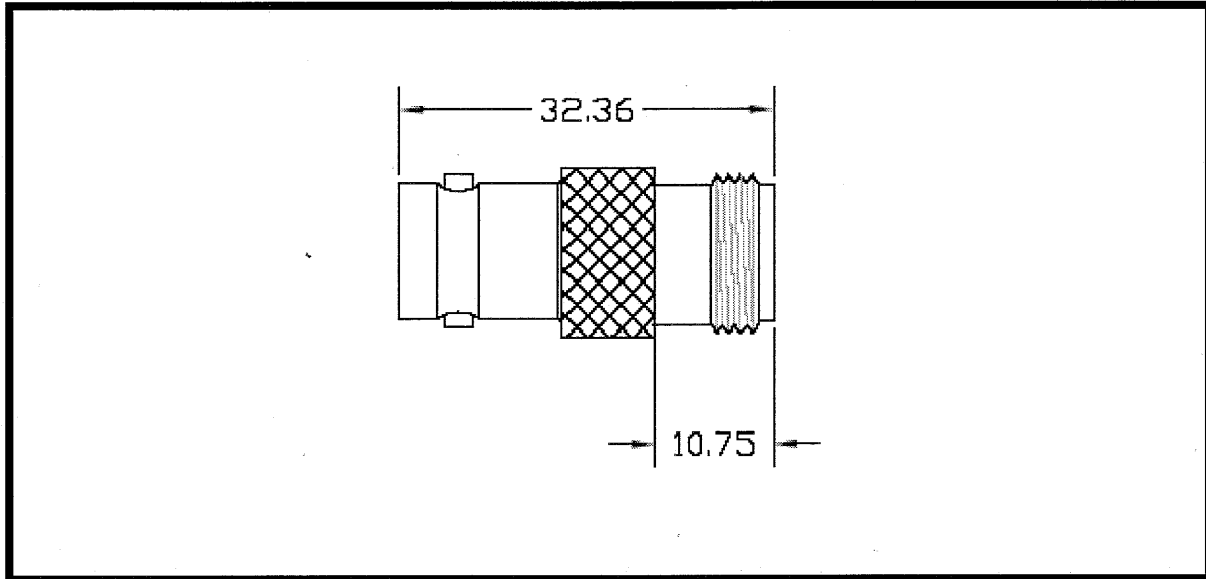


**PRODUCT BULLETIN**



**Part Number 3325505**

**BNC Female to TNC Female Adapter**

**Features and Specifications**

- » **Body:** Machined Brass, Nickel Plate
- » **Contact:** Brass, 5u in. Gold Plate
- » **Impedance:** 50 Ohm
- » **Temp. Range:** -55C to +100C
- » **Frequency:** Up to 1 GHz