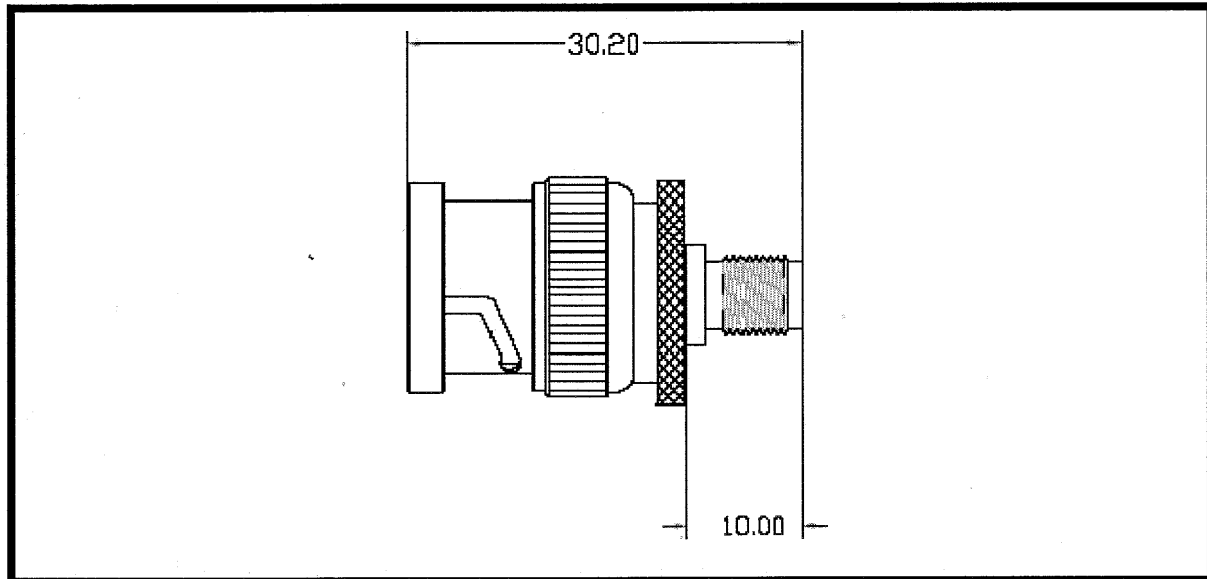




1850 Route 46 - Ledgewood, New Jersey - Phone: (973) 347-4040 - Fax: (973) 347-2111

PRODUCT BULLETIN



Part Number 3319505

BNC Male to SMA Female Adapter

Features and Specifications

- » **Body:** Machined Brass, Nickel Plate
- » **Contact:** Brass, 5u in. Gold Plate
- » **Impedance:** 50 Ohm
- » **Temp. Range:** -55C to +100C
- » **Frequency:** Up to 1 GHz