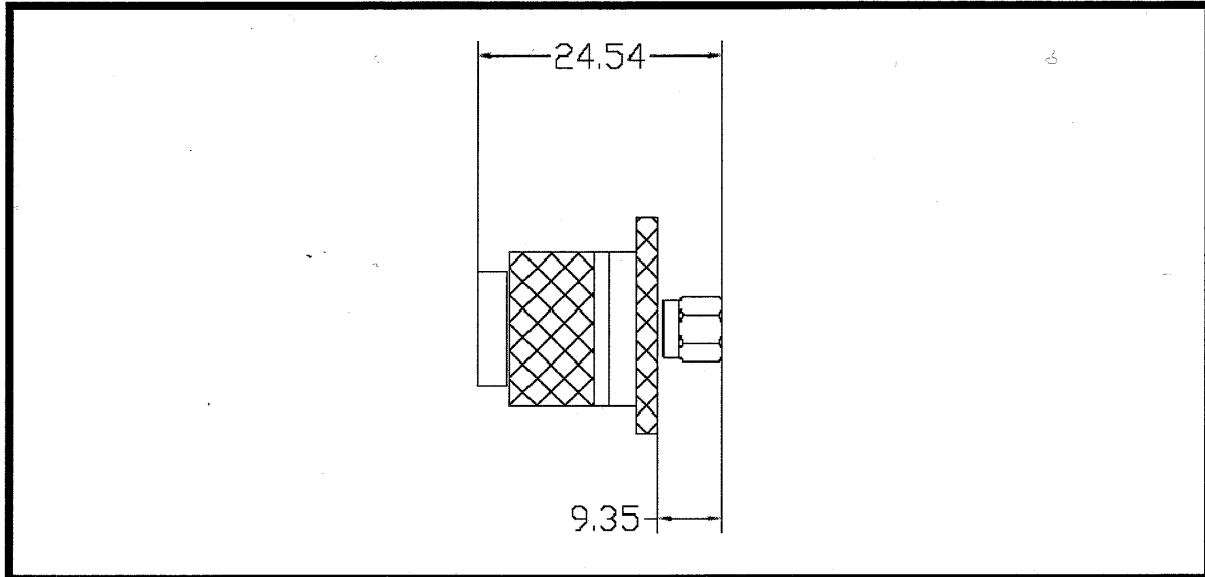


PRODUCT BULLETIN



Part Number 9306505

Mini-UHF Male to SMA Male Adapter

Features and Specifications

- » **Body:** Machined Brass, Nickel Plate
- » **Contact:** Brass, 5u in. Gold Plate
- » **Impedance:** 50 Ohm
- » **Temp. Range:** -55C to +100C
- » **Frequency:** Up to 1 GHz