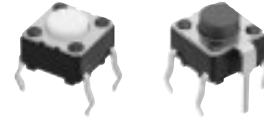


5N Type Light Touch Switches

Type: **EVQPA/EVQPB**



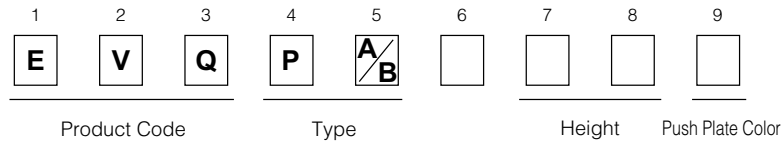
■ Features

- Wealth of product types: With or without a ground terminal, vertical or horizontal type, snap-in terminals, etc.
- Can be automatically dip-soldered: Integral molding of the terminals and main body prevents the escape of flux.

■ Recommended Applications

- Operating switches for other electronic equipment

■ Explanation of Part Numbers



■ Product Chart

○ = In production

| Operating Force | Positioning Pin | Ground Terminal | Height | | | |
|-----------------|-------------------------|-------------------------|--------|--------|--------|--------|
| | | | 4.3 mm | 5.0 mm | 7.0 mm | 9.5 mm |
| 1.0 N | Without positioning pin | With ground terminal | ○ | ○ | ○ | ○ |
| | | Without ground terminal | ○ | ○ | ○ | ○ |
| 1.3 N | Without positioning pin | With ground terminal | ○ | ○ | ○ | ○ |
| | | Without ground terminal | ○ | ○ | ○ | ○ |
| 1.6 N | Without positioning pin | With ground terminal | ○ | ○ | ○ | ○ |
| | | Without ground terminal | ○ | ○ | ○ | ○ |
| 2.6 N | Without positioning pin | With ground terminal | ○ | ○ | ○ | ○ |
| | | Without ground terminal | ○ | ○ | ○ | ○ |

■ Specifications


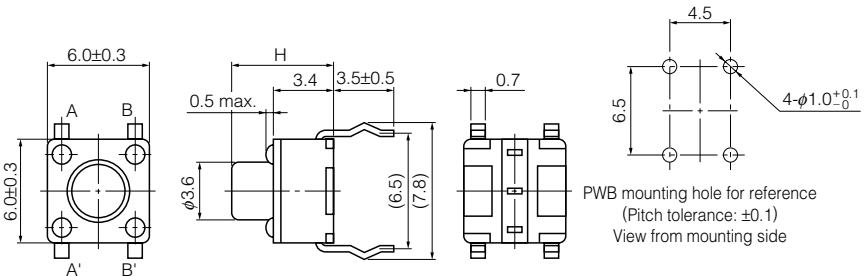
| Type | | Snap action/Push-on type SPST | |
|-----------------------------------|---------------------------------|---|-------------------|
| Electrical | Circuit Diagram | | |
| | Rating | 10 μA 2 Vdc to 20 mA 15 Vdc (Resistiv load) | |
| | Contact Resistance | 50 mΩ max. | |
| | Insulation Resistance | 50 MΩ min. (at 100 Vdc) | |
| | Dielectric Withstanding Voltage | 250 Vac for 1 minute | |
| | Bouncing | 3 ms max. (ON) 8 ms max. (OFF) | |
| Mechanical | Operating Force | 1.0 N±0.4 N 1.3 N±0.4 N 1.6 N±0.5 N | 2.6 N±0.6 N |
| | Travel | 0.25 mm±0.10 mm | |
| Endurance | Operating Life | 100000 cycles min.* | 50000 cycles min. |
| Operating Temperature | | -20 °C to +70 °C | |
| Storage Temperature | | -40 °C to +85 °C (Bulk) | |
| Minimum Quantity/ Packing Unit | Top-push | 500 pcs. Polyethylene Bag (Bulk) | |
| Quantity/ Carton | Top-push | 10000 pcs. | |

*1 million cycles also available, consult our salesmen.

Design and specifications are each subject to change without notice. Ask factory for the current technical specifications before purchase and/or use. Should a safety concern arise regarding this product, please be sure to contact us immediately.


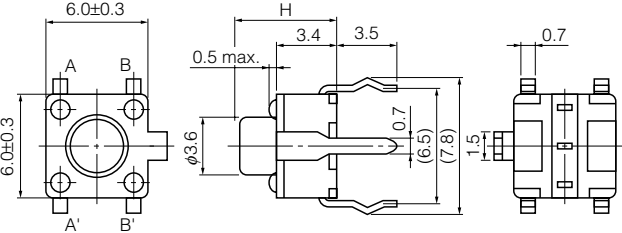
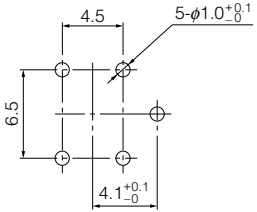
Mar. 2008

■ Dimensions in mm (not to scale)

| <p>No. 1</p> <p>EVQPA</p> <p>Without ground terminal</p>  |  <p>PWB mounting hole for reference (Pitch tolerance: ±0.1) View from mounting side</p> | | | |
|--|---|----------|------------------|----------------|
| Part Numbers | Operating Force | H=Height | Push Plate Color | Operating Life |
| EVQPAC04M | 1.0 N | 4.3 mm | White | 100000 cycles |
| EVQPAC05R | 1.0 N | 5.0 mm | Red | 100000 cycles |
| EVQPAC07K | 1.0 N | 7.0 mm | Black | 100000 cycles |
| EVQPAC09K | 1.0 N | 9.5 mm | Black | 100000 cycles |
| EVQPAD04M | 1.3 N | 4.3 mm | White | 100000 cycles |
| EVQPAD05R | 1.3 N | 5.0 mm | Red | 100000 cycles |
| EVQPAD07K | 1.3 N | 7.0 mm | Black | 100000 cycles |
| EVQPAD09K | 1.3 N | 9.5 mm | Black | 100000 cycles |
| EVQPAE04M | 1.6 N | 4.3 mm | White | 100000 cycles |
| EVQPAE05R | 1.6 N | 5.0 mm | Red | 100000 cycles |
| EVQPAE07K | 1.6 N | 7.0 mm | Black | 100000 cycles |
| EVQPAE09K | 1.6 N | 9.5 mm | Black | 100000 cycles |
| EVQPAG04M | 2.6 N | 4.3 mm | White | 50000 cycles |
| EVQPAG05R | 2.6 N | 5.0 mm | Red | 50000 cycles |
| EVQPAG07K | 2.6 N | 7.0 mm | Black | 50000 cycles |
| EVQPAG09K | 2.6 N | 9.5 mm | Black | 50000 cycles |

Design and specifications are each subject to change without notice. Ask factory for the current technical specifications before purchase and/or use.
Should a safety concern arise regarding this product, please be sure to contact us immediately.

■ Dimensions in mm (not to scale)

| <p>No. 2</p> <p>EVQPB</p> <p>With ground terminal</p> |    <p>PWB mounting hole for reference (Pitch tolerance: ±0.1) View from mounting side</p> | | | |
|--|---|----------|------------------|----------------|
| Part Numbers | Operating Force | H=Height | Push Plate Color | Operating Life |
| EVQPBC04M | 1.0 N | 4.3 mm | White | 100000 cycles |
| EVQPBC05R | 1.0 N | 5.0 mm | Red | 100000 cycles |
| EVQPBC07K | 1.0 N | 7.0 mm | Black | 100000 cycles |
| EVQPBC09K | 1.0 N | 9.5 mm | Black | 100000 cycles |
| EVQPBD04M | 1.3 N | 4.3 mm | White | 100000 cycles |
| EVQPBD05R | 1.3 N | 5.0 mm | Red | 100000 cycles |
| EVQPBD07K | 1.3 N | 7.0 mm | Black | 100000 cycles |
| EVQPBD09K | 1.3 N | 9.5 mm | Black | 100000 cycles |
| EVQPBE04M | 1.6 N | 4.3 mm | White | 100000 cycles |
| EVQPBE05R | 1.6 N | 5.0 mm | Red | 100000 cycles |
| EVQPBE07K | 1.6 N | 7.0 mm | Black | 100000 cycles |
| EVQPBE09K | 1.6 N | 9.5 mm | Black | 100000 cycles |
| EVQPBG04M | 2.6 N | 4.3 mm | White | 50000 cycles |
| EVQPBG05R | 2.6 N | 5.0 mm | Red | 50000 cycles |
| EVQPBG07K | 2.6 N | 7.0 mm | Black | 50000 cycles |
| EVQPBG09K | 2.6 N | 9.5 mm | Black | 50000 cycles |

Design and specifications are each subject to change without notice. Ask factory for the current technical specifications before purchase and/or use.
Should a safety concern arise regarding this product, please be sure to contact us immediately.