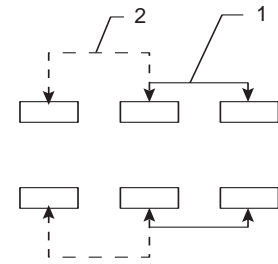
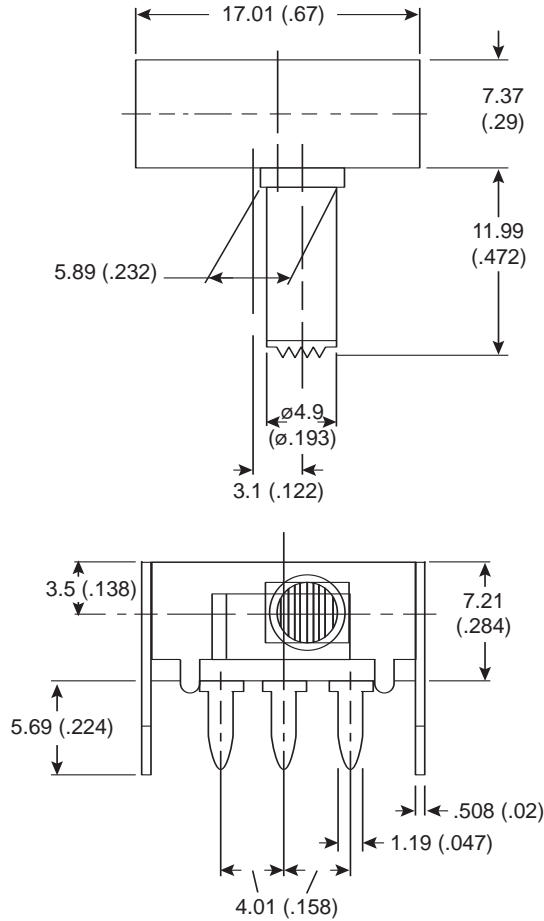
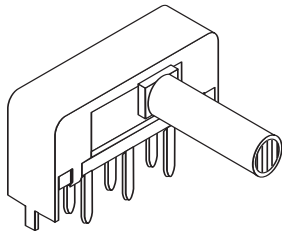
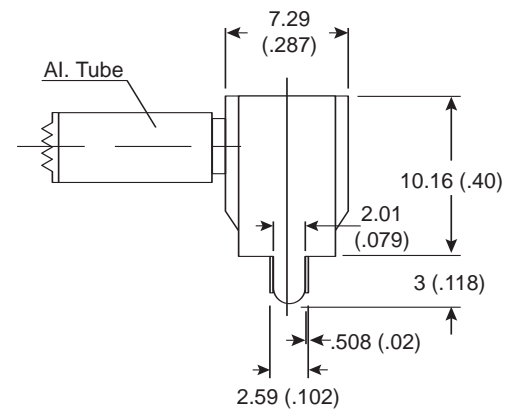


Dimensions: mm (In)



Schematic



Electrical Specifications:

- Rating: .5A/50VDC
- Contact Resistance: 30mΩ max. (initial)
- Insulation Resistance: 500MΩ @ 500VDC
- Dielectric Strength: 500VAC for 1 minute

Mechanical Specifications:

- Circuit: DPDT on-on
- Mechanical Life: 10,000 cycles (15-18 C/M)

Sub-Miniature Slide Switch
10SL009



Available from Mouser Electronics

www.mouser.com

1-800-346-6873