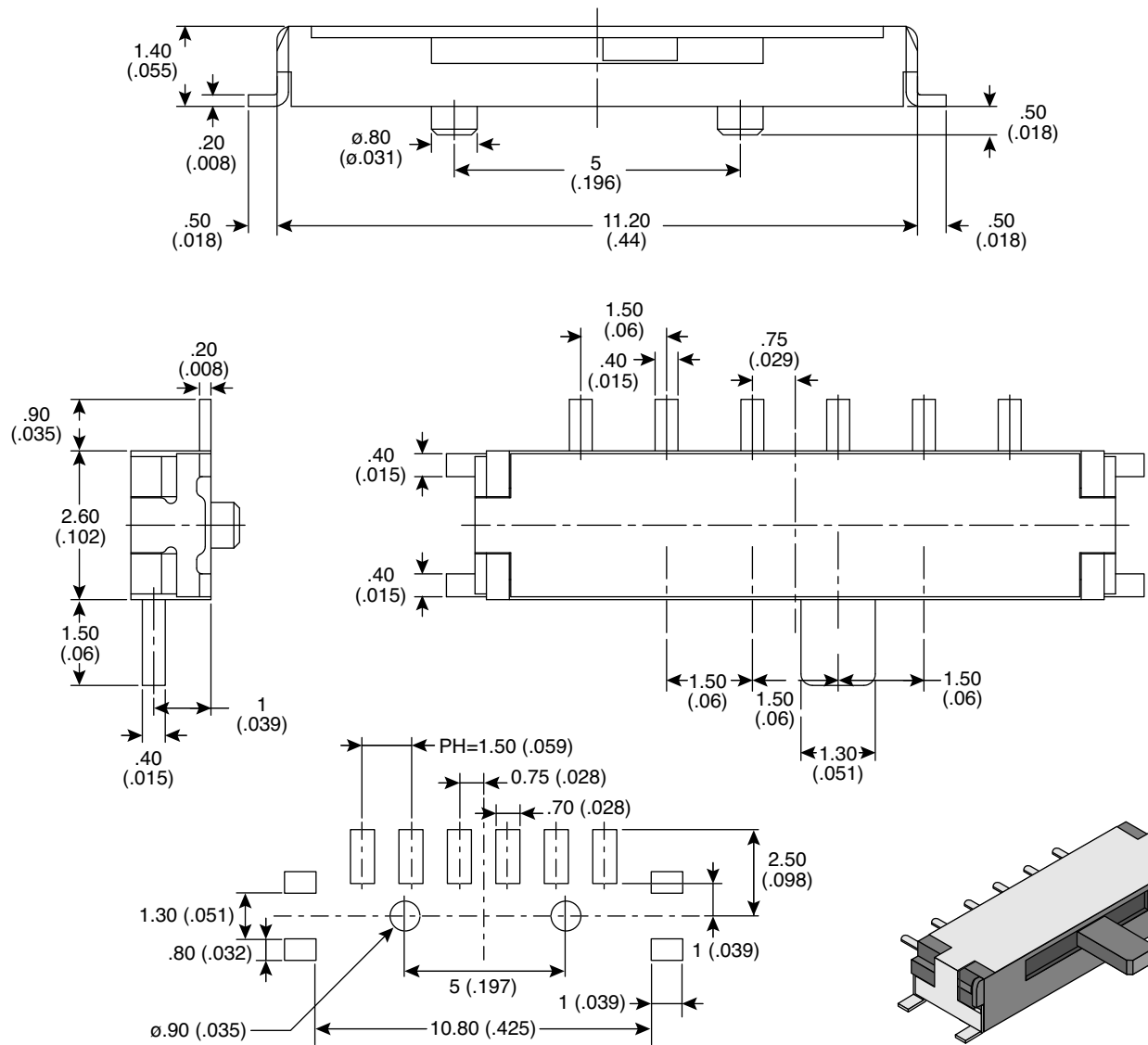


Dimensions: mm (in.)



P.C.B. Layout

**Electrical Specifications:**

- Rating: Non-Switching-300mA/4VDC  
Switching-25mA/24VDC
- Contact Resistance: 70mΩ max.
- Insulation Resistance: 100MΩ min.
- Dielectric Strength: 100VAC for 1 min.

**Mechanical Specifications:**

- Operating Temperature: -20°C~+70°C
- Storage Temperature: -40°C~+85°C
- Tolerance: ±0.20mm

**Note:**

- RoHS Compliant and Process Compatible with 260° solder.

Miniature Slide Switch (SMT)  
103-5043-EV



Available from Mouser Electronics

www.mouser.com

1-800-346-6873

Specifications are subject to change without notice. No liability or warranty implied by this information. Environmental compliance based on producer documentation.