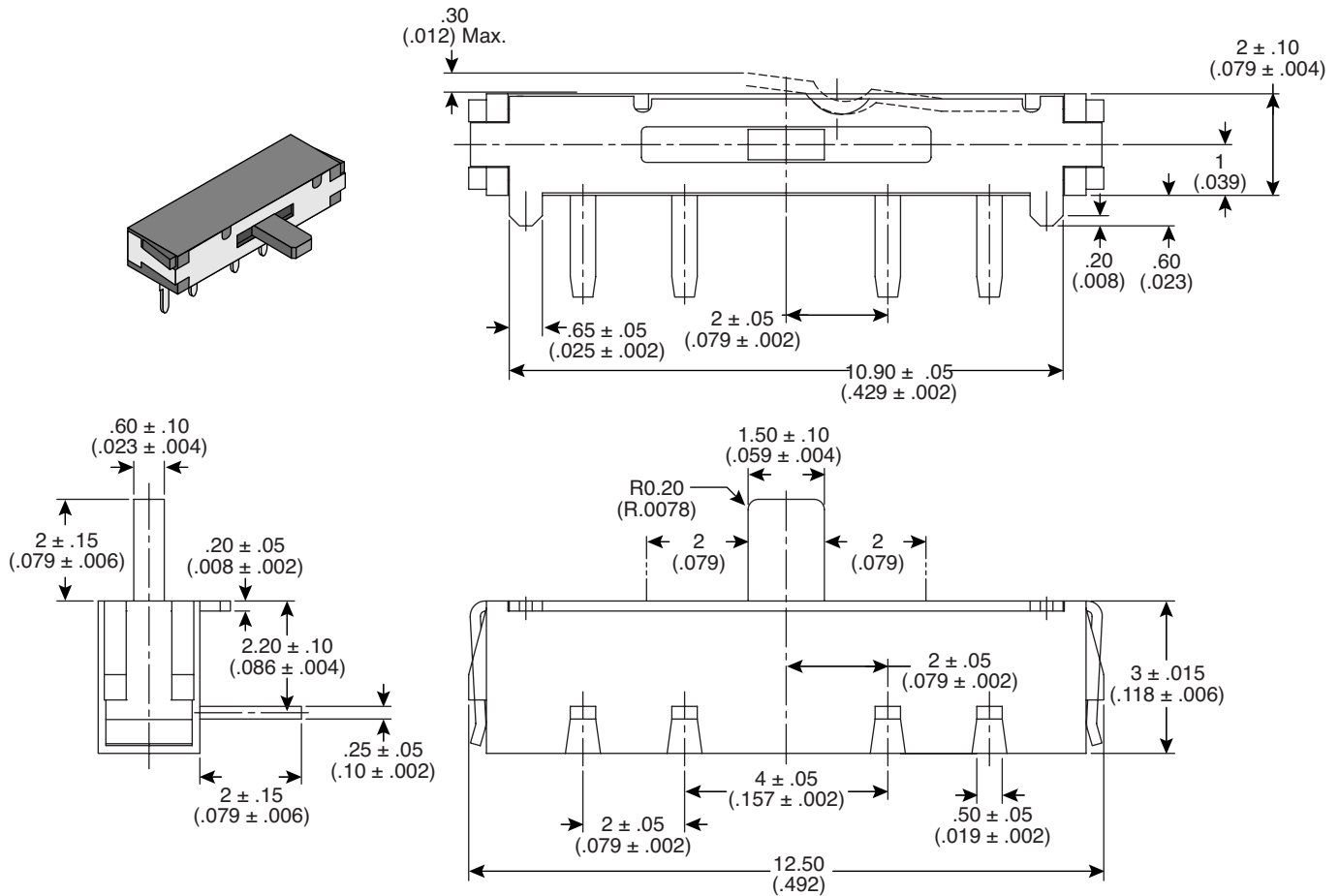


Dimensions: mm (In.)



Electrical Specifications:

- Rating: Non-Switching-100mA/50VDC
Switching-25mA/24VDC
- Contact Resistance: 100mΩ max.
- Insulation Resistance: 100MΩ min.
- Dielectric Strength: 500VAC for 1 min.

Mechanical Specifications:

- Operating Temperature: -20°C~+70°C
- Storage Temperature: -40°C~+85°C

Note:

- RoHS Compliant and Process Compatible with 260° Solder

Slide Switch
103-5028-EV

