

ROTARY SWITCH

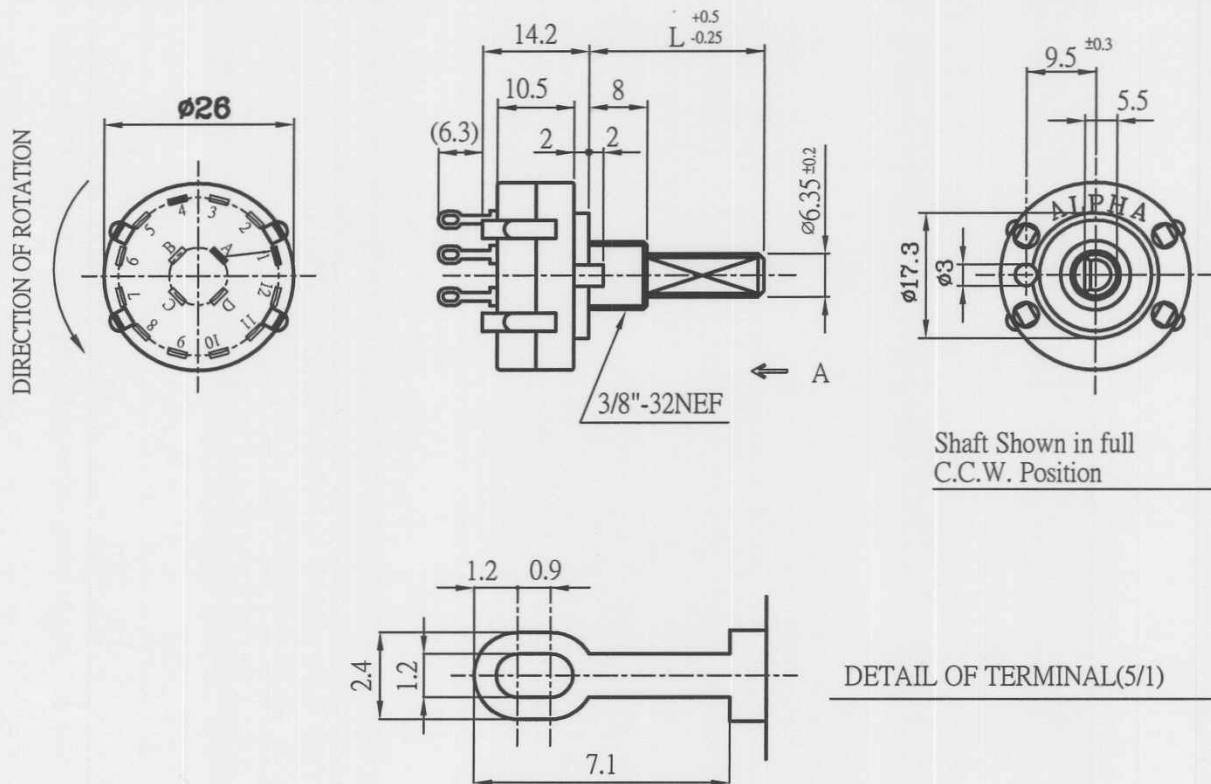
MODEL

SR2619F-0102-(L)F5B-D8-N

SPECIFICATIONS

Rating	AC125V 0.3A
Contact Resistance	50 m ΩMax.
Insulation Resistance	DC500V-100 M MinΩ
Withstand Voltage	AC500V-1 Minute
Rotation Torque	0.5±0.2Kg-cm
Sizes (m.m)	As Following Drawings

参考用



- NOTE:
1. TOLERANCES UNLESS OTHERWISE SPECIFIED: ±0.4mm
 2. TIMING: NON-SHORTING
 3. DETENT POSITIONS (90°)

Date

DWN

CHKD

APP'D



TAIWAN ALPHA ELECTRONIC CO., LTD.