

ROTARY SWITCH

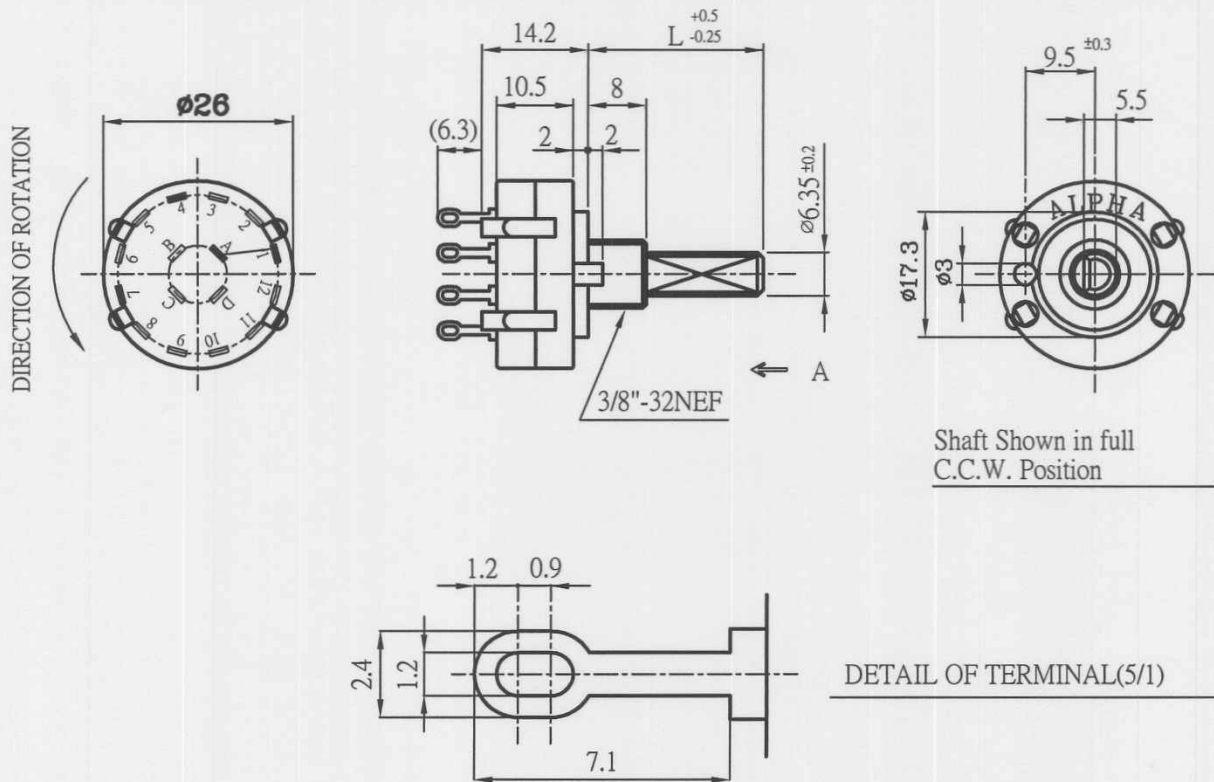
MODEL

SR2619F-0103-(L)F5B-D8-N

SPECIFICATIONS

Rating	AC125V 0.3A
Contact Resistance	50 mΩMax.
Insulation Resistance	DC500V-100 M MinΩ
Withstand Voltage	AC500V-1 Minute
Rotation Torque	0.5±0.2Kg-cm
Sizes (m.m)	As Following Drawings

参考用



- NOTE:
1. TOLERANCES UNLESS OTHERWISE SPECIFIED: $\pm 0.4\text{mm}$
 2. TIMING: NON-SHORTING
 3. DETENT POSITIONS (90°)

Date	2005.10.19	DWN	CHKD	APP'D	
------	------------	-----	------	-------	---

TAIWAN ALPHA ELECTRONIC CO., LTD.