

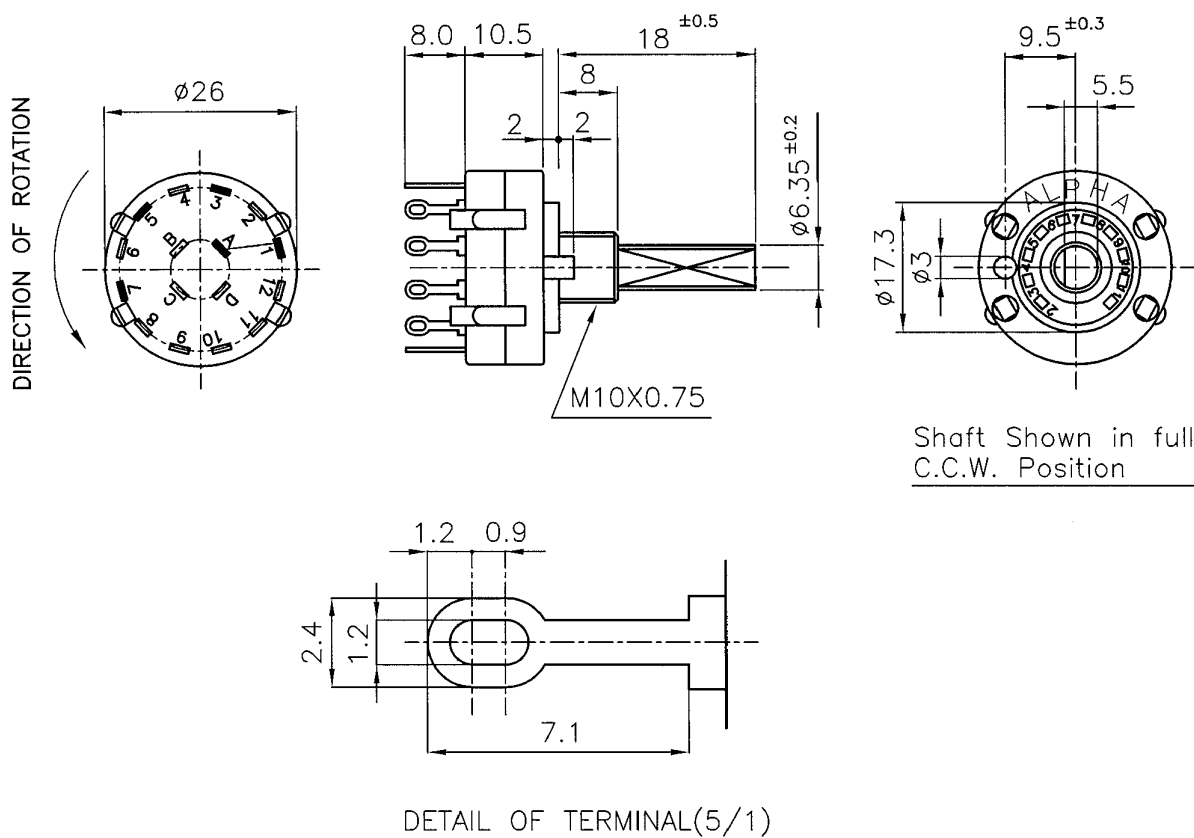
# ROTARY SWITCH

**MODEL**

SR2617F-0104-18F5B-D1-N

## SPECIFICATIONS

Rating	AC125V 0.3A
Contact Resistance	50 mΩ Max.
Insulation Resistance	DC500V-100 MΩ Min.
Withstand Voltage	AC500V-1 Minute
Rotation Torque	0.5±0.2Kg-cm
Sizes (m.m)	As Following Drawings



- NOTE: 1. TOLERANCES UNLESS OTHERWISE SPECIFIED: ±0.4mm  
 2. ACCESSORY PARTS: M10 HEXAGON NUT ONE PIECE & LOCKWASHER ONE PIECE.  
 3. TIMING: NON-SHORTING  
 4. DETENT POSITIONS (60°)

Date

2005.11.16

DWN

張月琴

CHKD

APP'D

94.11.16

信昌

## TAIWAN ALPHA ELECTRONIC CO., LTD.