

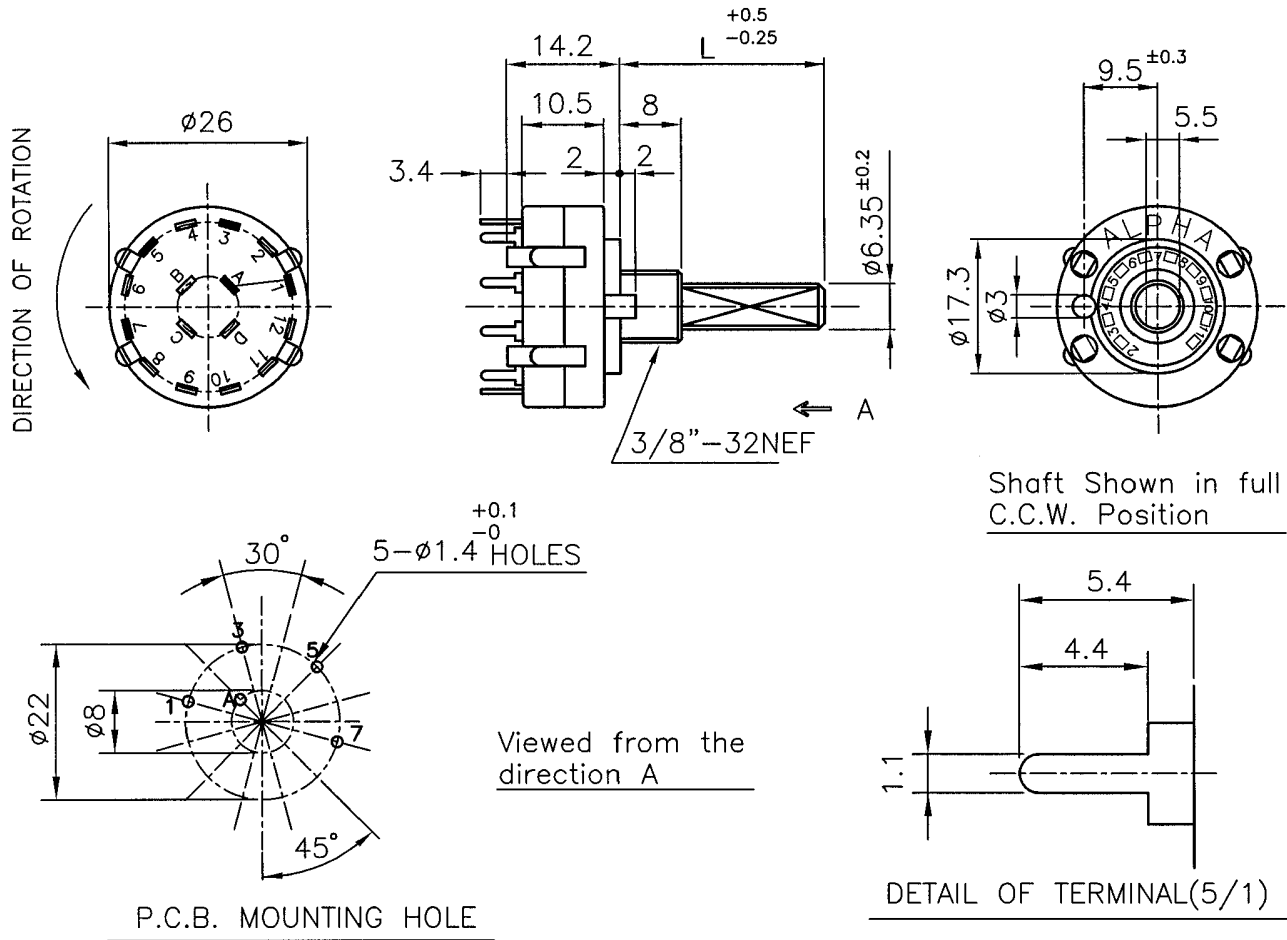
ROTARY SWITCH

MODEL

SR2616F-0104-(L)F5B-D8-N

SPECIFICATIONS

Rating	AC125V 0.3A
Contact Resistance	50 mΩ Max.
Insulation Resistance	DC500V-100 MΩ Min.
Withstand Voltage	AC500V-1 Minute
Rotation Torque	0.5±0.2Kg-cm
Sizes (m.m)	As Following Drawings



Shaft Shown in full C.C.W. Position

Viewed from the direction A

DETAIL OF TERMINAL(5/1)

- NOTE:
1. TOLERANCES UNLESS OTHERWISE SPECIFIED: ±0.4mm
 2. ACCESSORY PARTS: M10 HEXAGON NUT ONE PIECE & LOCKWASHER ONE PIECE.
 3. TIMING: NON-SHORTING
 4. DETENT POSITIONS (60°)

Date	2005.11.21	DWN	張月琴	CHKD	王茂松 94.11.22	APP'D	李信昌 94.11.22
------	------------	-----	-----	------	-----------------	-------	-----------------

TAIWAN ALPHA ELECTRONIC CO., LTD.