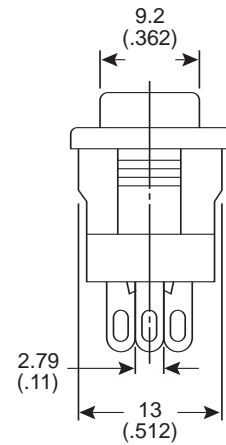
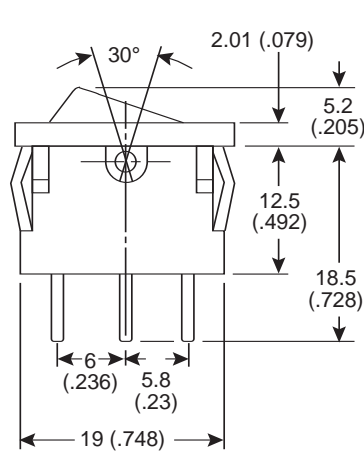
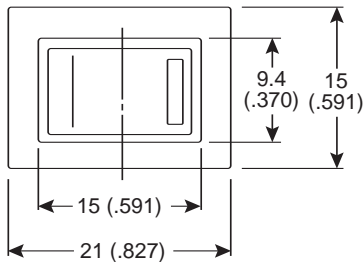
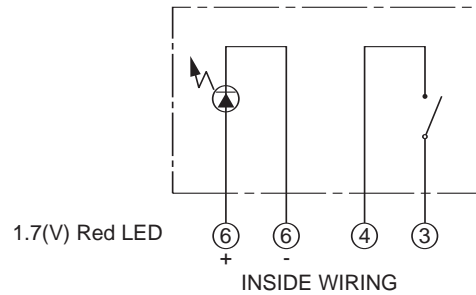
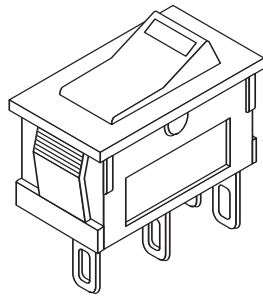


Dimensions: mm (In)



Electrical Specifications:

- Rating: 5A/125VAC, 3A/250VAC
- Insulation Resistance: 500VDC 100MΩ min.
- Dielectric Strength: 1500VAC for 1 minute.
- Contact Resistance: 1A/2.5VDC 50mΩ max.

Mechanical Specifications:

- Circuit: 2P SPST On-Off

Mouser Stock No.	Color	Absolute Maximum Rating (Ta=25°C)						Electro-Optical Cha. (IF=20mA, Ta=25°C)					
		P (mW)	IF (mA)	IFM (mA)	VR (V)	Top. (°C)	Tatg (°C)	VF (typ.)	IR (max)	Cd(mcd)		λP(typ) (nm)	Δλ (typ) (nm)
107-DS850K-0R	Red	80	40	300	4	-30~	-30~	1.7V	100μA	12	24	660	30
107-DS850K-0G	Green	100	40	100	4	+85	+100	2.1V	100μA	10	15	570	30
107-DS850K-0Y	Yellow	100		100				2.1V	100μA	2	4	555	30

Rocker Switches

107-DS850K-0R, 107-DS850K-0G, 107-DS850K-0Y



Available from Mouser Electronics

www.mouser.com

1-800-346-6873