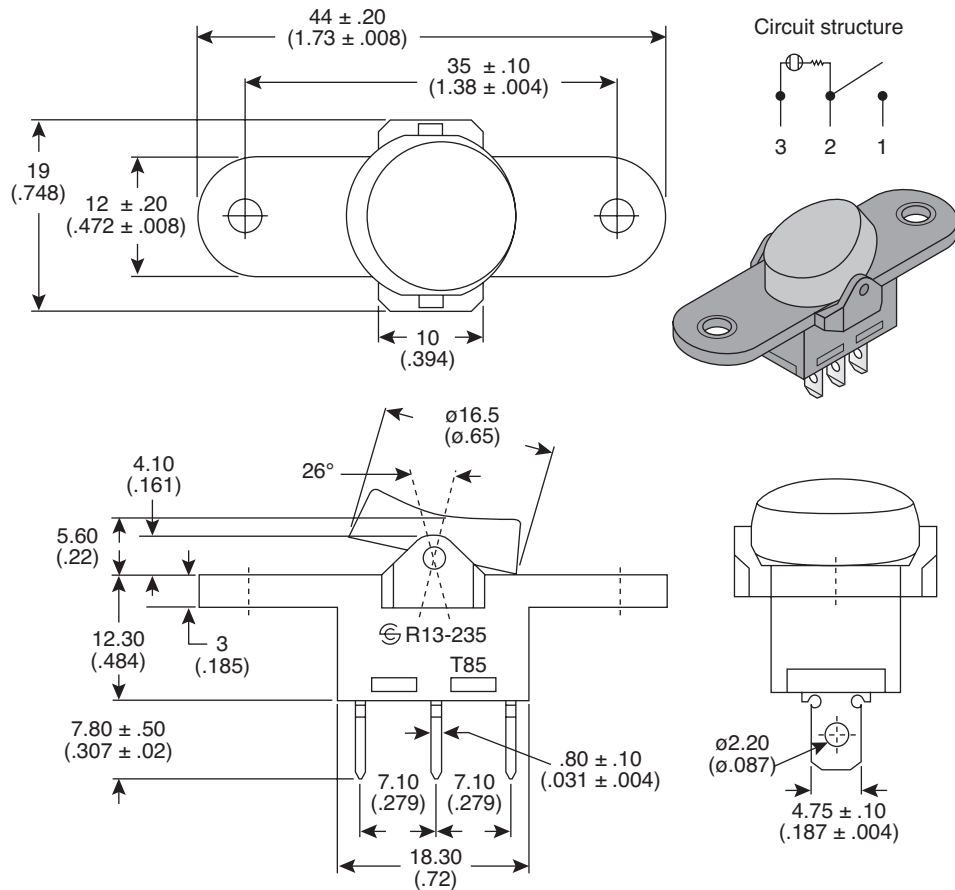
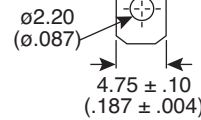
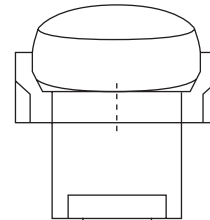
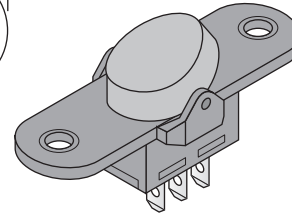
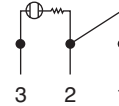


Dimensions: mm (In.)



Circuit structure



Electrical Specifications:

- Rating: 8A / 125VAC -1 / 3HP
8A / 250VAC -1 / 2HP
- Contact Resistance: 50m Ω max.
- Insulation Resistance: 500 VDC 100M Ω min.
- Dielectric Strength: 1500 VAC for 1 minute

Mechanical Specifications:

- Operating Temperature: -20°C ~ 85°C
- Circuit: 3P SPST ON-OFF
- Neon Lamp: 110VAC

Material:

- Color: red

Note:

- RoHS Compliant

Illuminated Rocker Switch
103-7062-EV



Available from Mouser Electronics

www.mouser.com

1-800-346-6873