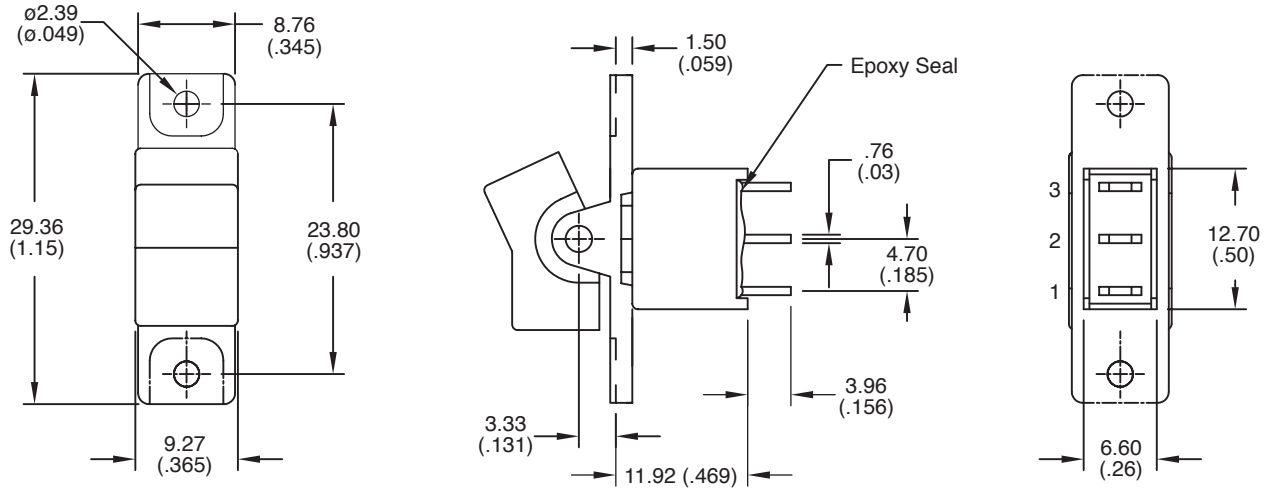
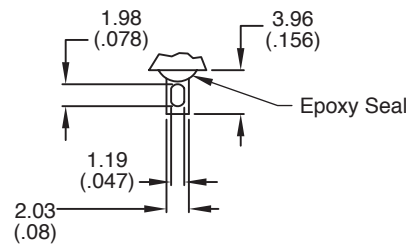


Dimensions: mm (In)



POS.1	POS.2	POS.3
ON	OFF	ON
2-3	OPEN	2-1

Switch Function



Solder Lug

**Electrical Specifications:**

- Rating: 2A/250VAC, 5A/120VAC or 28VDC
- Contact Resistance: 10m $\Omega$  max. initial @ 2-4 VDC 100mA
- Insulation Resistance: 1000M $\Omega$  min.
- Dielectric Strength: 1000 V RMS @ sea level

**Mechanical Specifications:**

- Mechanical Life: 30,000 make-and-break cycles
- Operating Temperature: -30°C to 85°C

**Materials:**

- Case and Bushing: Glass filled nylon 6/6, flame retardant, heat stabilized (UL94-0)
- Actuator: nylon, black std. internal o-ring seal standard with all actuators.
- Frame: Spring steel, black std.
- Switch Support: Brass or steel, tin plated
- Terminals/Contact: gold plated copper alloy
- Actuator Pivot & Mounting Bracket: Nylon
- Actuator Pivot Retainer: Stainless steel

**Note:**

- RoHS Compliant by exemption

Sealed Miniature Rocker Switch  
103-7017-EVX



Available from Mouser Electronics

www.mouser.com

1-800-346-6873