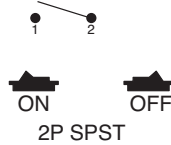
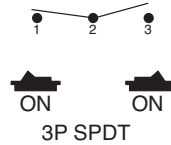


Dimensions: mm (In.)

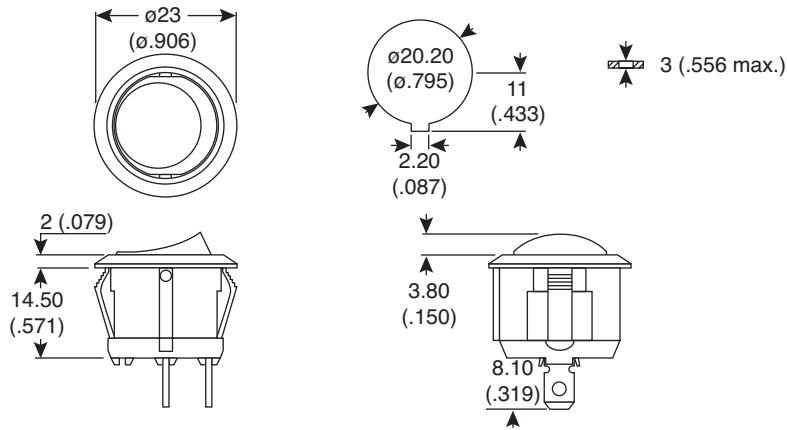
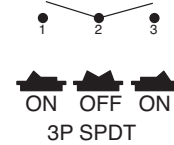
103-R13-112A-02



103-R13-112C-02



103-R13-112D-02



Electrical Specifications:

- Rating: 16A/125VAC, 10A/250VAC
- Contact resistance: 50m Ω max.
- Insulation resistance: 500VDC 100M Ω min.
- Dielectric strength: 1500VAC for 1 Minute

Note:

- RoHS Compliant

Rocker Switches

103-R13-112A-02-EV, 103-R13-112C-02-EV, 103-R13-112D-02-EV



Available from Mouser Electronics

www.mouser.com

1-800-346-6873