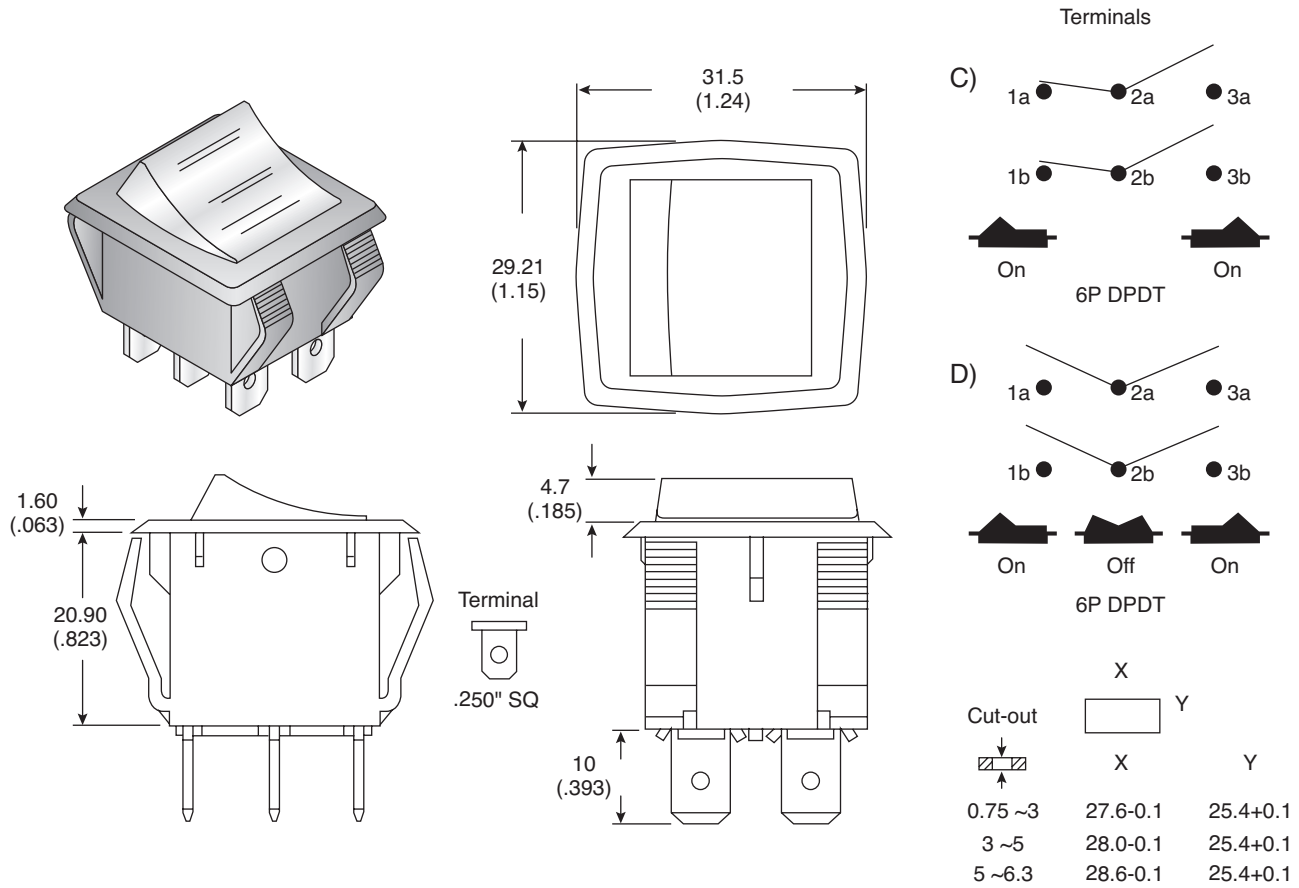


Dimensions: mm (In.)



Electrical Specifications:

- Rating: 16A / 125VAC, 10A / 250VAC
- Contact Resistance: 50mΩ max.
- Insulation Resistance: 100MΩ min. @ 500VDC
- Dielectric Strength: 1000VAC for 1 minute

Note:

- RoHS Compliant

Mouser Stock No.	Button	Function
103-R13-240C-01-EV	Black	C
103-R13-240D-01-EV	Black	D

Rocker Switches
 103-R13-240C-01-EV
 103-R13-240D-01-EV



Available from Mouser Electronics

www.mouser.com

1-800-346-6873