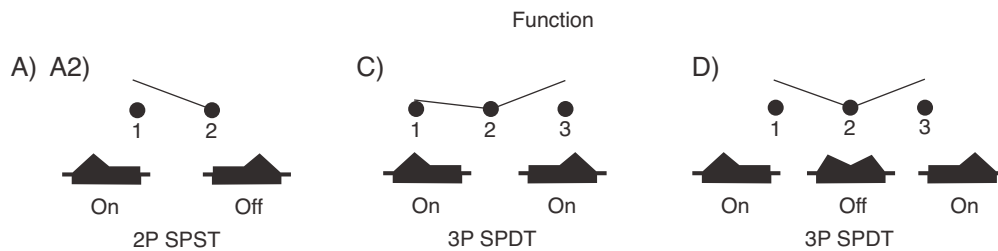
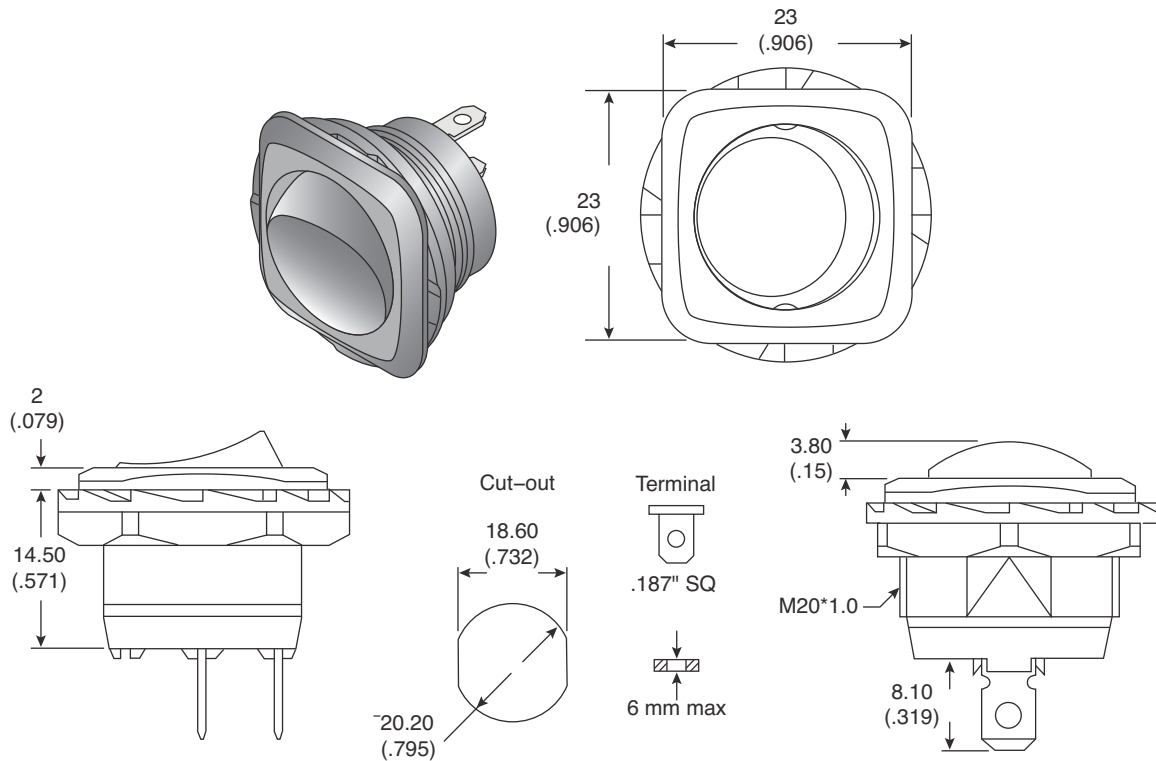


Dimensions: mm (in.)



Mouser Stock No.	Button	Function
103-R13-135A -02-EV	Black	A
103-R13-135A2-02-EV	Black/Red Indicator	A2
103-R13-135C-02-EV	Black	C
103-R13-135D-02-EV	Black	D

Mechanical Specifications:

- Rating: 16A/125VAC, 10A/250VAC
- Contact resistance: 50mΩ Max
- Insulation resistance: 500VDC 100MΩ min.
- Dielectric strength: 1500VAC 1 minute

Note:

- RoHS Compliant

Rocker Switches

103-R13-135A-02-EV, 103-R13-135A2-02-EV,
103-R13-135C-02-EV, 103-R13-135D-02-EV

