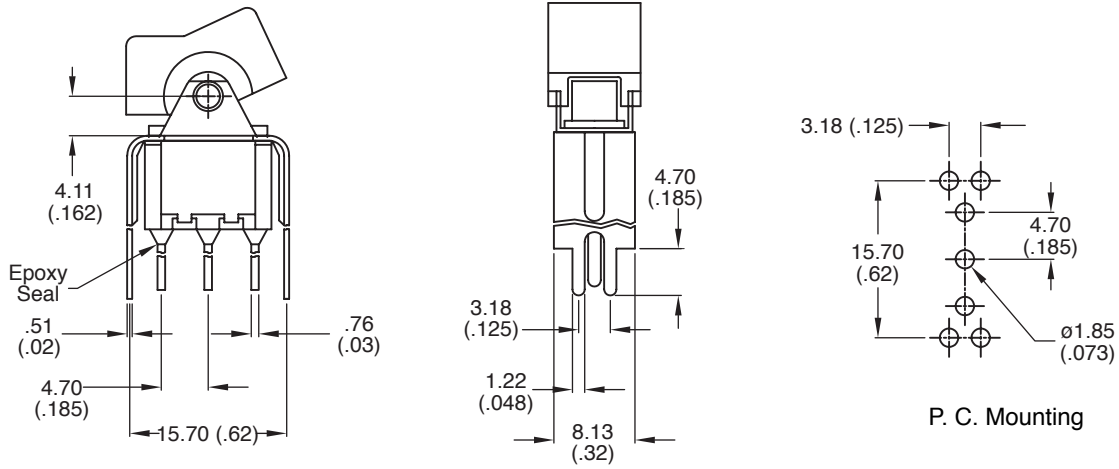


Dimensions: mm (In)



POS.1	POS.2	POS.3
ON	NONE	ON
2-3	OPEN	2-1

Switch Function

Electrical Specifications:

- Rating: 2A/250VAC, 5A/120VAC or 28VDC
- Contact Resistance: 10mΩ max. initial @ 2-4 VDC 100mA
- Insulation Resistance: 1000MΩ min.
- Dielectric Strength: 1000 V RMS @ sea level

Mechanical Specifications:

- Mechanical Life: 50,000 make-and-break cycles at full load.
- Operating Temperature: -30°C to 85°C

Materials:

- Case: Dially phthalate (DAP) (UL94v-0)
- Actuator: Nylon, black std.
- Bushing: Brass, nickel plated
- Housing: Stainless steel
- Switch Support: Brass, tin plated
- Terminals/Contact: Brass, Silver or Gold plated

Note:

- RoHS compliant by exemption

PC Mount Miniature Rocker Switch
103-7007-EVX



Available from Mouser Electronics

www.mouser.com

1-800-346-6873