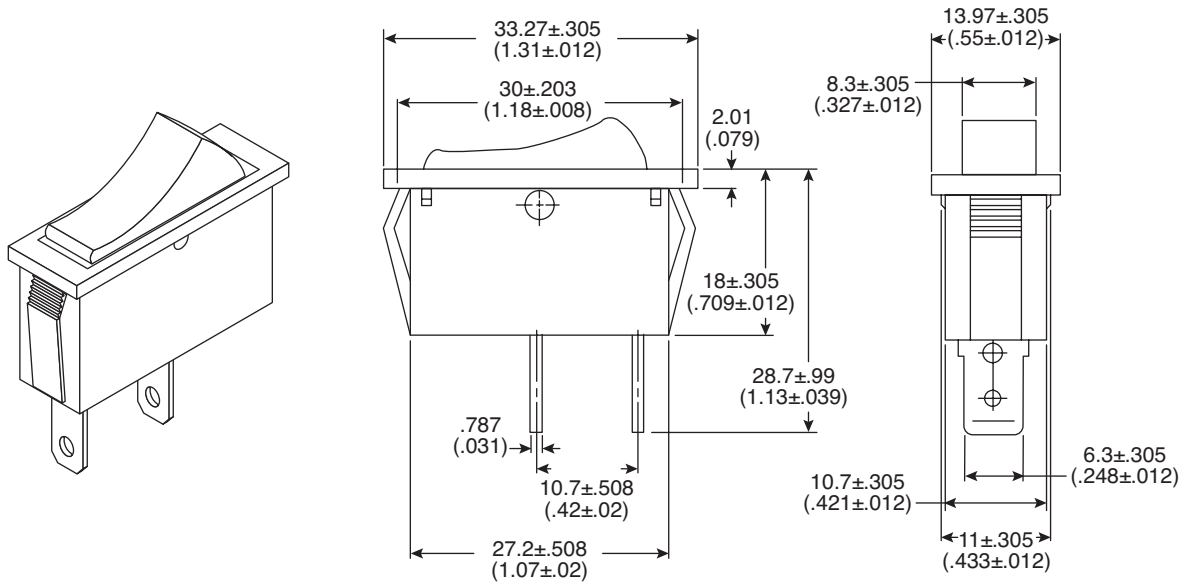
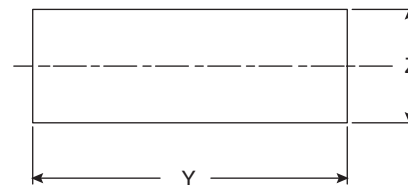


Dimensions: mm (In)



Panel Access Hole Cut Out Data

Panel Thickness	Y	Z
.030 to .049	1.189 ± .004	.441 ± .004
.049 to .079	1.197 ± .004	.441 ± .004
.079 to .118	1.213 ± .004	.441 ± .004



**Electrical Specifications:**

- Rating: 16A/125VAC 1/8 HP, 10A/250VAC 1/3 HP; 20A/12VDC
- Contact Resistance: 50mΩ max.
- Insulation Resistance: 500VDC 100MΩ min.
- Dielectric Strength: 1500VAC for 1 minute

**Mechanical Specifications:**

- Circuit: 2P SPST On-Off

**Note:**

- RoHS Compliant

**Rocker Switch**  
103-R13-91A-EV

