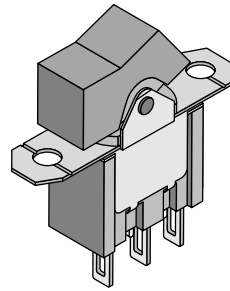
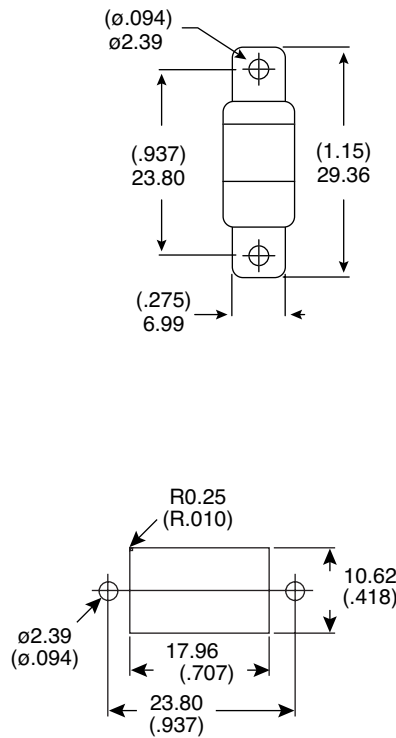


Dimensions: mm (in.)

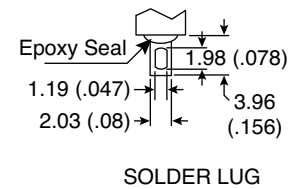
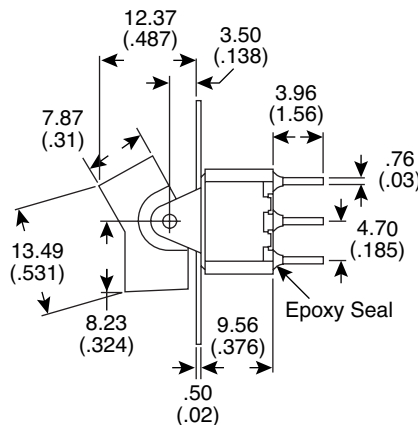
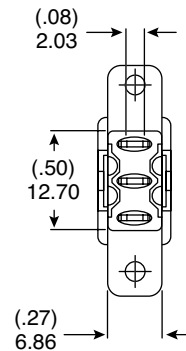
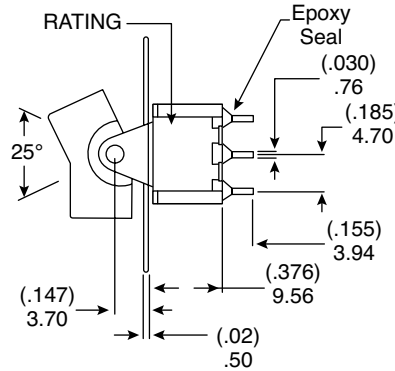
SWITCH FUNCTION



POS. 1	POS. 2	POS. 3
ON	OFF	ON
2-3		2-1
	OPEN	



RECOMMENDED MOUNTING



SOLDER LUG

**Electrical Specifications:**

- Electrical life: 50,000 make-and-break cycles at full load
- Contact resistance: 10m Ω max. initial @ 2-4VDC 100mA
- Insulation resistance: 1,000M Ω min.
- Dielectric strength: 1000V RMS @ sea level
- Rating: 5A/120VAC or 28VDC, 2A/250VAC

**Mechanical Specifications:**

- Operating temperature: -30°C to 85°C
- Circuit: SPDT On-Off-On

**Note:**

- RoHS compliant by exemption

**Materials:**

- Case: Diallyl phthalate (DAP)(UL94V-0)
- Actuator: Nylon, black std.
- Bushing: Brass, nickel plated
- Housing: Stainless Steel
- Switch support: Brass, tin plated
- Fixed terminal: Silver plated copper alloy
- Movable contact: Silver plated copper alloy

Miniature Rocker Switch  
103-7135-EVX



Available from Mouser Electronics

www.mouser.com

1-800-346-6873

Specifications are subject to change without notice. No liability or warranty implied by this information. Environmental compliance based on producer documentation.