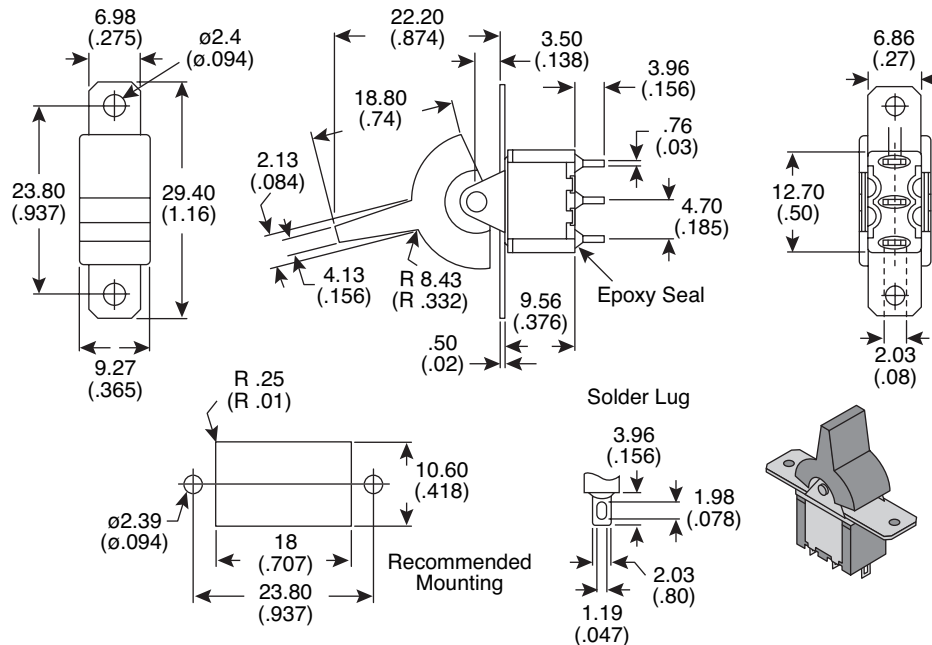


Dimensions: mm (In.)



POS. 1	POS. 2	POS. 3
ON	NONE	MOM
2-3		2-1
	OPEN	

Mechanical Specifications:

- Mechanical Life: 50,000 make-and-break cycles.
- Operating Temperature: -30°C to 85°C

Note:

- RoHS Compliant by Exemption

Electrical Specifications:

- Rating: 2A 250VAC; 5A 120VAC or 28VDC
- Contact Resistance: 10mΩ max. initial @ 2-4VDC 100mA
- Insulation Resistance: 1,000MΩ min.
- Dielectric Strength: 1,000 V RMS @ sea level

Materials:

- Case: dially phthalate (DAP) (UL94v-0)
- Actuator: nylon, black std.
- Bushing: brass, nickel plated
- Housing: stainless steel
- Switch Support: brass, tin plated
- Terminals / Contact: brass, silver or gold plated

Miniature Paddle Switch
103-7008-EVX



Available from Mouser Electronics

www.mouser.com

1-800-346-6873

Specifications are subject to change without notice. No liability or warranty implied by this information. Environmental compliance based on producer documentation.