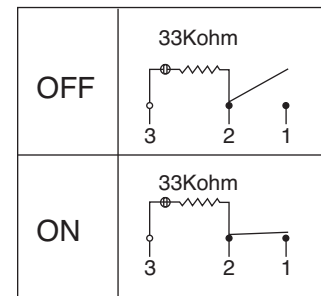
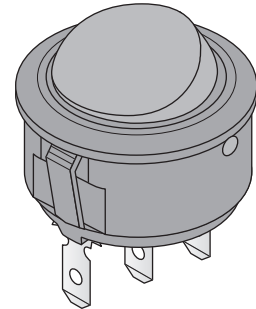
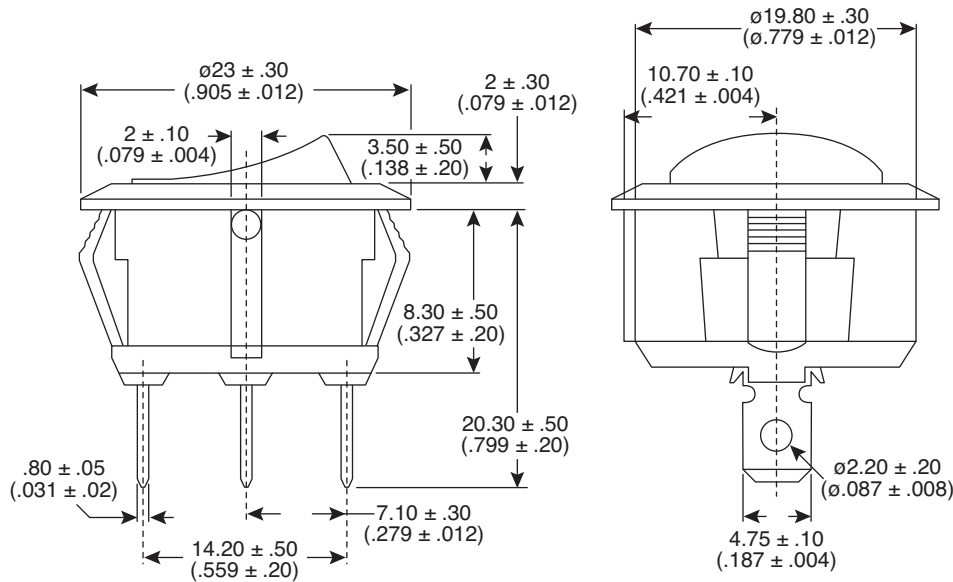


Dimensions: mm (In.)



Circuit Diagram

Mouser Stock No.	Button Color
103-7052-EV	Orange
103-7053-EV	Red

Electrical Specifications:

- Rating: 16A/125VAC, 10A/ 250VAC
- Contact Resistance: 50m  $\Omega$  max.
- Insulation Resistance: 500 VDC 100M  $\Omega$  min.
- Dielectric Strength: 1500 VAC 1 minute

Mechanical Specifications:

- Circuit: 3P SPST On-Off
- Neon Lamp: 110VAC

Note:

- RoHS Compliant

ILLUMINATED ROCKER SWITCHES  
103-7052-EV, 103-7053-EV



Available from Mouser Electronics

www.mouser.com

1-800-346-6873

Specifications are subject to change without notice. No liability or warranty implied by this information. Environmental compliance based on producer documentation.