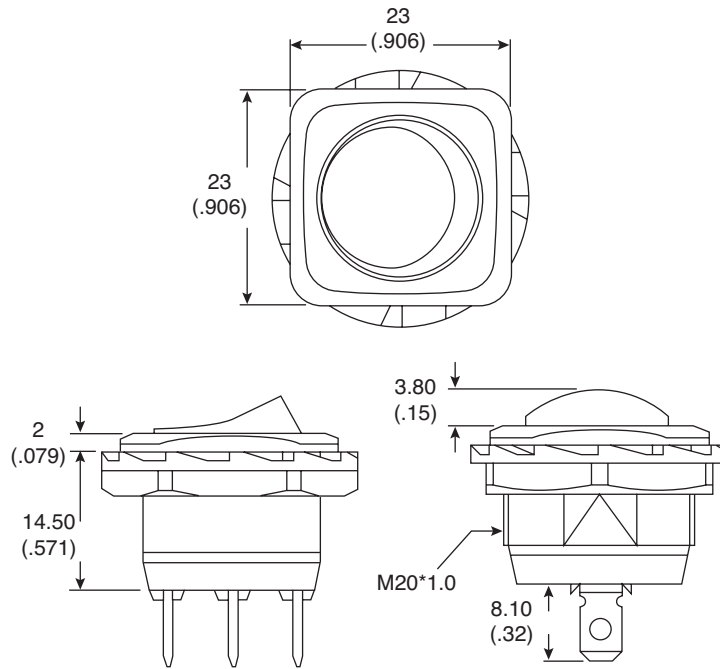


Dimensions: mm (In.)



| Cutout | Circuit Arrangement |
|--|--|
| <p>18.60 (.732)</p> <p>ø20.20 (ø.795)</p> <p>6mm (.236)max</p> | <p>1 2 3</p> <p>ON OFF</p> <p>3P SPST</p> <p>Illuminated</p> <p>125VAC 33K</p> |

Electrical Specifications:

- Rating: 16A/125VAC, 10A/250V AC
- Contact Resistance: 50m Ω max.
- Insulation Resistance: 500VDC 100M Ω min.
- Dielectric Strength: 1500VAC 1 minute

Note:

- RoHS Compliant

Illuminated Rocker Switches
 103-R13-135B-02R-EV, 103-R13-135B-02G-EV



Available from Mouser Electronics

www.mouser.com

1-800-346-6873