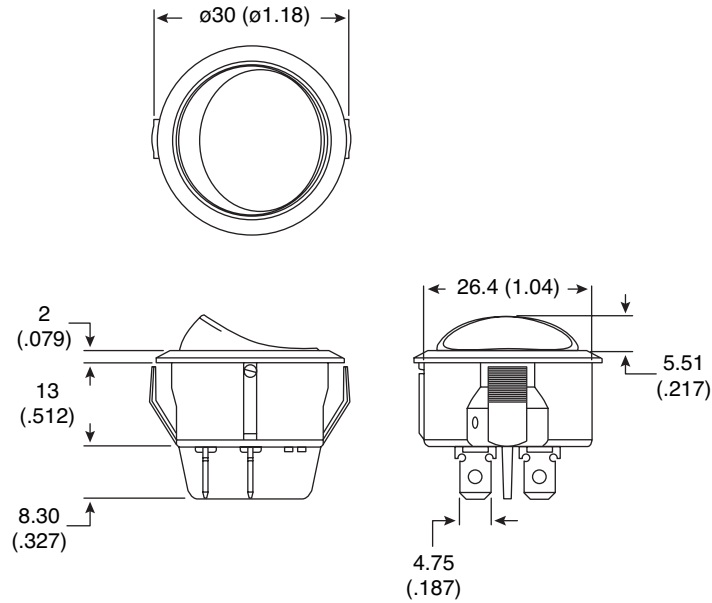


Dimensions: mm (In.)



| Cutout | Circuit Arrangement |
|--|--|
| <p>2.10 (.083) $\phi 26.70$ ($\phi 1.05$) $\phi 27.60$ ($\phi 1.08$) 3mm (.118) max</p> | <p>a1 a2 a3 b1 b2 b3 ON OFF ON 6P DPDT</p> <p>TERMINAL .187" SQ</p> |

Electrical Specifications:

- Rating: 8A / 125VAC / 250VAC
- Contact Resistance: 50m Ω max.
- Insulation Resistance: 500VDC 100M Ω min.
- Dielectric Strength: 1500VAC 1 minute

Note:

- RoHS Compliant

Rocker Switch
 103-R13-245D-02-EV

